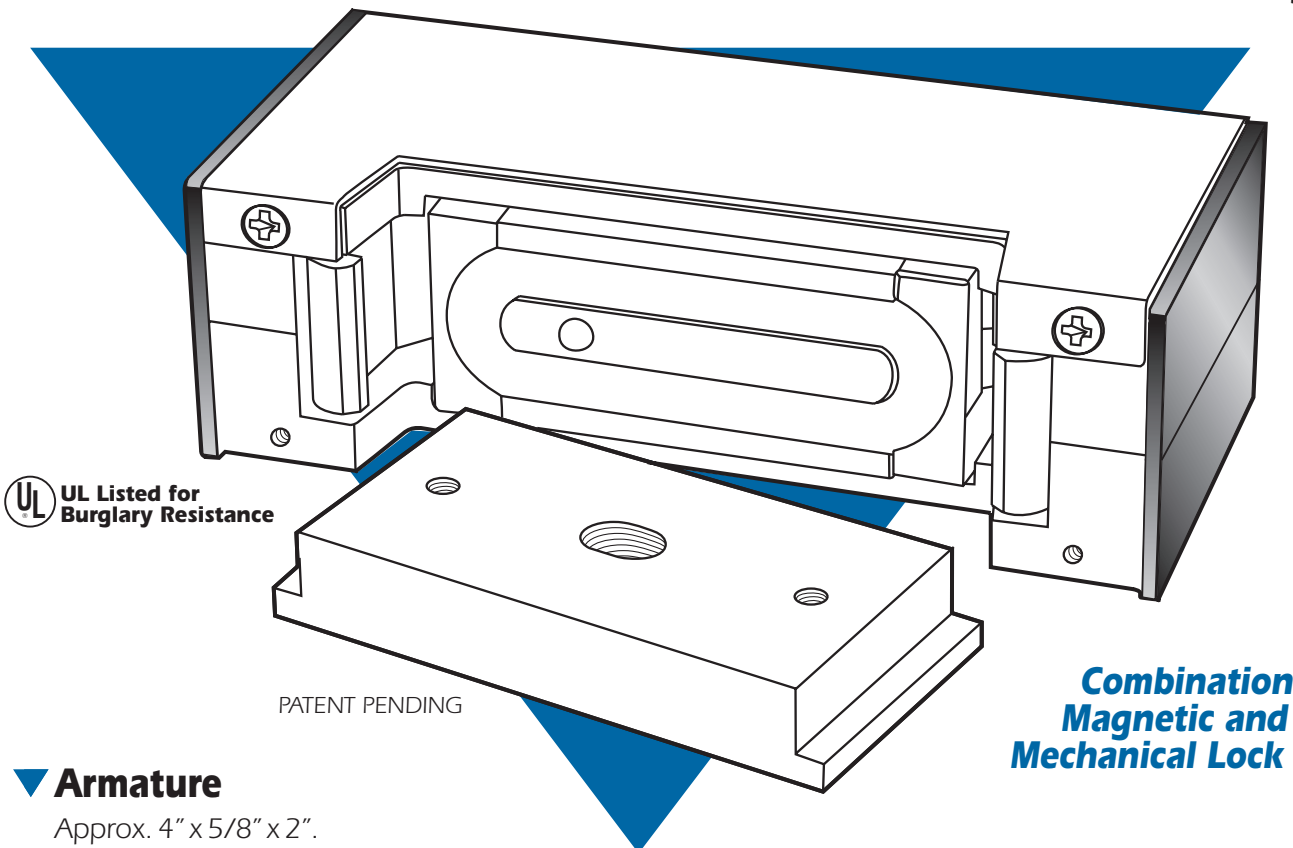


ELECTRICAL SPECIFICATIONS

VOLTAGE: 12 to 24 Volt AC or DC
CURRENT DRAW: 0.2 amps maximum

MS Maglock™ MS1500

4000 lb. Holding Force
with Mechanical Mandibles engaged



▼ Armature

Approx. 4" x 5/8" x 2".

▼ Case

Approx. 6" x 2-3/4" x 2" deep. One piece, stainless steel housing cover conceals the magnet fasteners. Finished standard in US32D.

▼ Mounting

A separate mounting plate is included as standard. A variety of accessories are available for different mounting methods.

▼ Options

Monitoring: Door position switch and tamper warning switch are available.
Conduit: Prepped for use with conduit.

▼ Function

The MS Maglock provides remote access and exit control of internal and external wood, hollow metal and aluminum doors. The MS Maglock is designed with two hardened steel mandibles, which are spring loaded to clamp on the armature in the event of a forced entry attempt. The MS Maglock has a holding force of 4000 pounds when installed with the supplied mounting plate and screws. The revolutionary design allows the maglock to run on voltages from 12 to 24 AC or DC. The MS Maglock is fail-safe, but can be installed with a battery backup power supply. Options include a door position switch, tamper warning switch and conduit fitting. Available accessories allow the maglock to be installed on in-swinging as well as out-swinging doors.



ADAMS RITE
MANUFACTURING CO.

260 Santa Fe Street
Pomona, California 91767
(800) 872-3267 Fax: (800) 232-7329
www.adamsrite.com

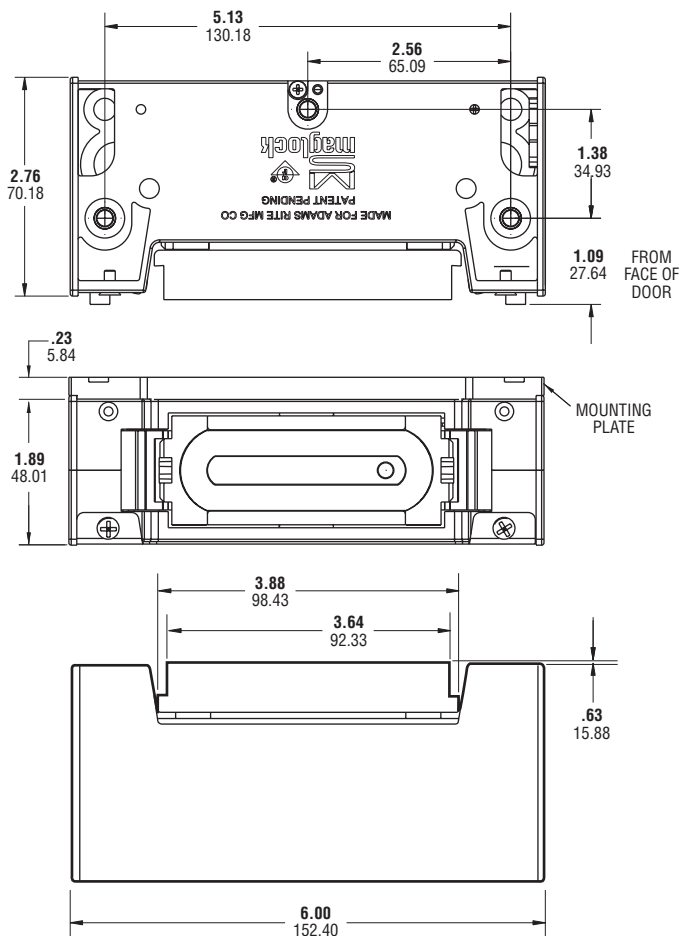


MS1500 MS Maglock™

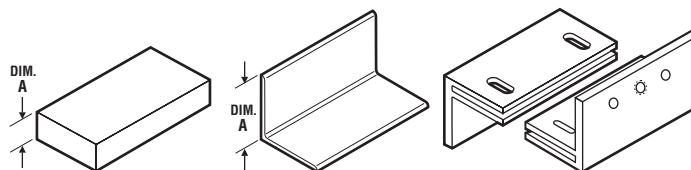
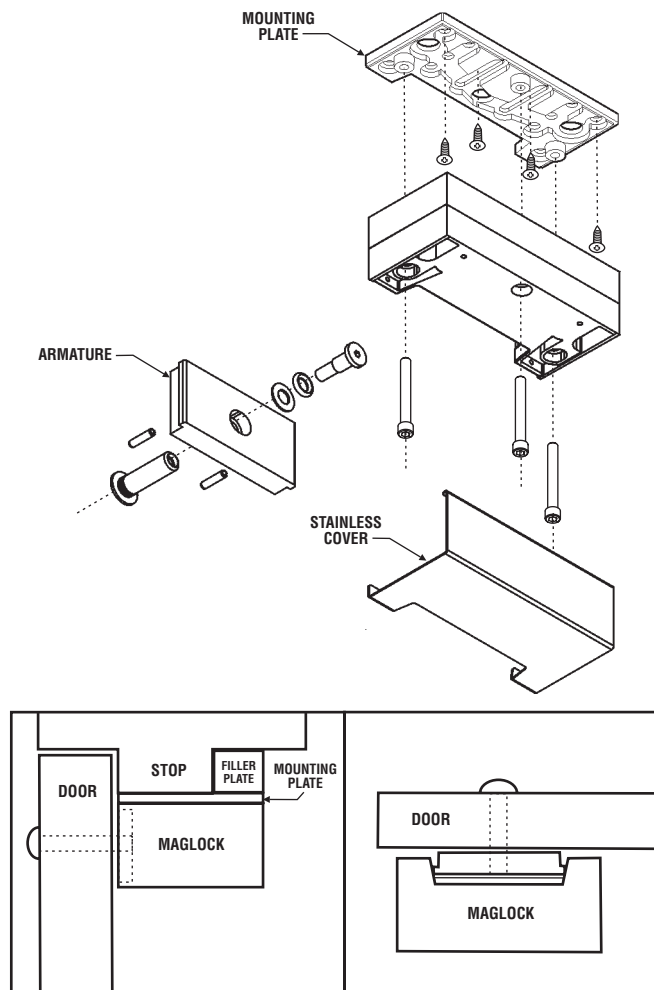
DIMENSIONS

INCHES
MILLIMETERS

Nominal, subject to tolerance extremes.



INSTALLATION



Filler Plate

PART NO.	DIM. A
FP1500-01	0.375
FP1500-02	0.500
FP1500-03	0.625

Angle Bracket

PART NO.	DIM. A
AB1500-01	1.00
AB1500-02	2.00
AB1500-03	3.00

Z Brackets

PART NO.
ZB1500

Add to Part No. above for painted finish: -130 (to match Clear), -121 (to match Dark Bronze), -119 (to match Black)

HOW TO ORDER

Specify quantity and the following information.
Order related hardware separately.

Options*

- C** Conduit
- M** Door Position switch & Tamper Warning switch

MS1500 - 630

Cover Finish

630 Satin Stainless Steel

*Substitute for dash if ordering.
For both options, substitute "CM"

OPTIONS

MS Maglock can be ordered with Door Position switch and Tamper Alert sensor. Wired for conduit also available. Order Z brackets, angle brackets or filler plates separately.

STANDARD PACKAGE

Individually boxed with Maglock, armature, mounting plate and all mounting hardware. Shipping weight approximately 5 lbs.