

Steel Hawk 4300 Electrified Deadlatch (eLatch)



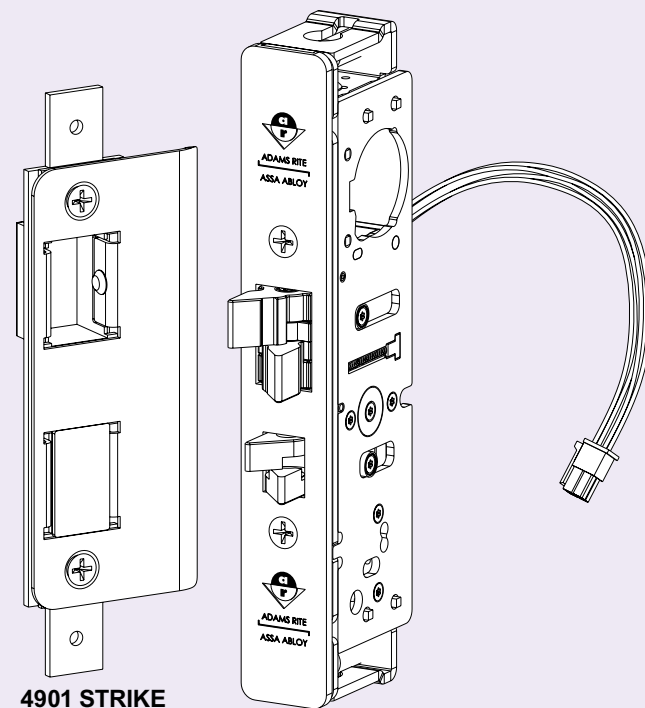
ALUMINUM

ELECTRIFIED
PRODUCTGRADE 1
E8231

The Steel Hawk 4300 Electrified Deadlatch (eLatch) combines non-handed, narrow backset, mechanical locking hardware with electrified access control.

Function

The 4300 eLatch combines mechanical locking hardware with electrified access control while working within standard aluminum entrance door preparations. Always operable from the inside via handle or paddle device. Entry via keyed mortise cylinder or access control element. Fail-secure lock with optional form "C" latch status monitor. The standard 4300 operates on 12, 16, or 24 volt DC power and is rated for continuous duty. Units are equipped with a quick connect plug-in type connector. Interchangeable without stile modification for MS® Deadlocks or 4500 and 4900 Deadlatches. 1-3/4" minimum door thickness required.



4901 STRIKE

Operation

Turn key, apply voltage, or operate handle or paddle to release the spring-loaded latchbolt. Electrically-rated for continuous duty for timed applications. Interface with access control. Uses any standard mortise cylinder with MS® cam.

Specifications

CYLINDER BACKSET

- 31/32", 1-1/8", and 1-1/2".

CASE

- Measures 15/16" x 5-13/16" x depth. Depth varies by backset (see table on back of page). Steel with corrosion-resistant plating.

LATCHBOLT

- 5/8" x 1" x 5/8" throw. Stainless steel.

AUXILIARY BOLT

- All metal. Deadlocks latchbolt to prevent "loiding" or case-knife entry.

FACEPLATES

- Measures 1" x 6-7/8". Both flat and radius faceplates are supplied. Flat faceplates can also be adjusted in the field for right or left beveled edge doors.

VOLTAGE

- Field-selectable to match power source of 12, 16, or 24 VAC/VDC

CURRENT DRAW/AMPS

VOLTS	DC CONTINUOUS
12	0.44
16	0.458*
24	0.23

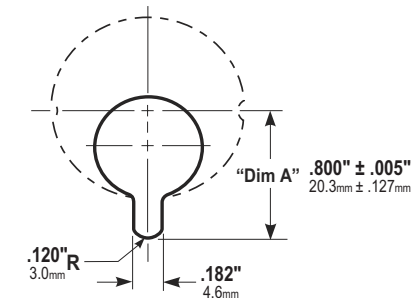
*Required 16 VDC adapter (P/N VA 7400-16VDC)

STRIKES

- Pick from optional strikes. 4304 no-cut surface mounted strike for easy retrofits. Specify mortised-flush version 4901 when covering existing MS® deadlock preparation or for new applications. 4901 is available with radius profiles for pairs of doors and with extended lips of center-hung or thick door applications doors.

CYLINDER CAM

- 4300 Electrified Deadlatches are operable by any standard 1-5/32" diameter mortise cylinder with MS® cam dimensioned as shown. Cylinders with MS cams can be readily obtained from most cylinder manufacturers. See CYLINDERS section for cylinder make, thumbturn and trim ring information.



OPTIONS

- Backset, strike, and finish must be specified when ordering. Please select monitoring option if request to exit (REX) is required. If selected, an external request to exit (REX) feature in exit trim is not required with the 4300 Electrified Deadlatch.

STANDARD PACKAGE

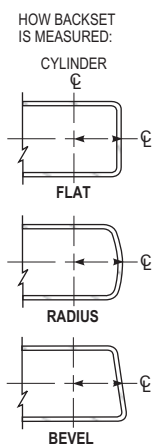
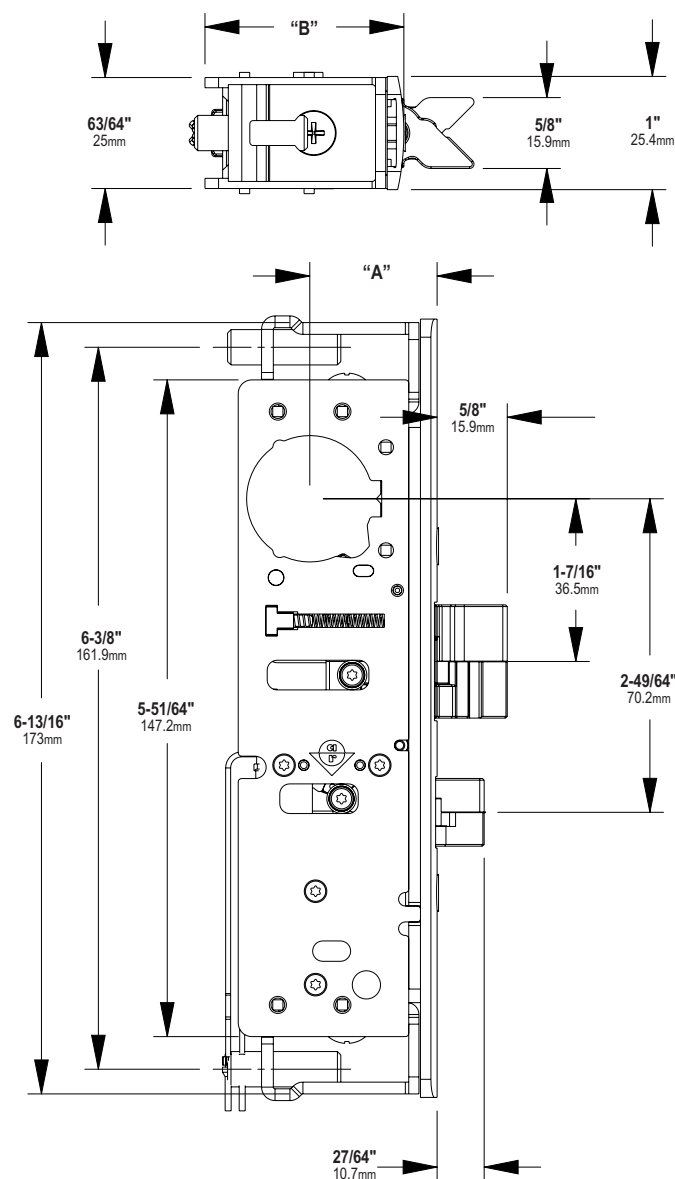
- Individually boxed with flat and radius faceplates, strike, and machine screws for mounting. Supplied with universal cam plug 4581 to work with specified handles or paddle operators. Cylinder, paddle, or handle available separately. Shipping weight: 1-1/4lbs.

RITE Pack®

- The Steel Hawk 4300 RITE Pack conveniently pairs the non-handed, narrow backset, electrified deadlatch with the flexibility of multiple faceplates in a single, simple package.
- The RITE Pack includes one electrified deadlatch and four faceplates.
 - 2 flat faceplates: one clear (628) and one dark bronze anodized finish (313)
 - 2 radius faceplates: one clear (628) and one dark bronze anodized finish (313)

All measurements are approximate and are provided for informational purposes only. Refer to the product Installation Instructions.

Dimensions



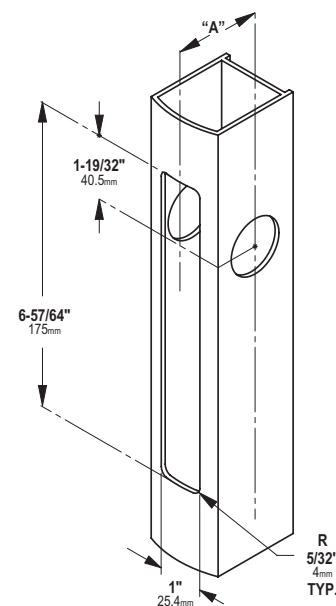
BACKSET A	DIM. B
31/32" 24.6mm	1-19/32 40.5mm
1-1/8" 28.6mm	1-49/64" 44.8mm
1-1/2" 38.1mm	2-9/64" 54.4mm

ARMORED FACEPLATE
1" X 6-7/8"

FLAT (INCLUDED) P/N 24-0076-01-XXX*
RADIUS (INCLUDED) P/N 24-0076-02-XXX*
RADIUS W/ WEATHERSTRIP P/N 24-0076-03-XXX*

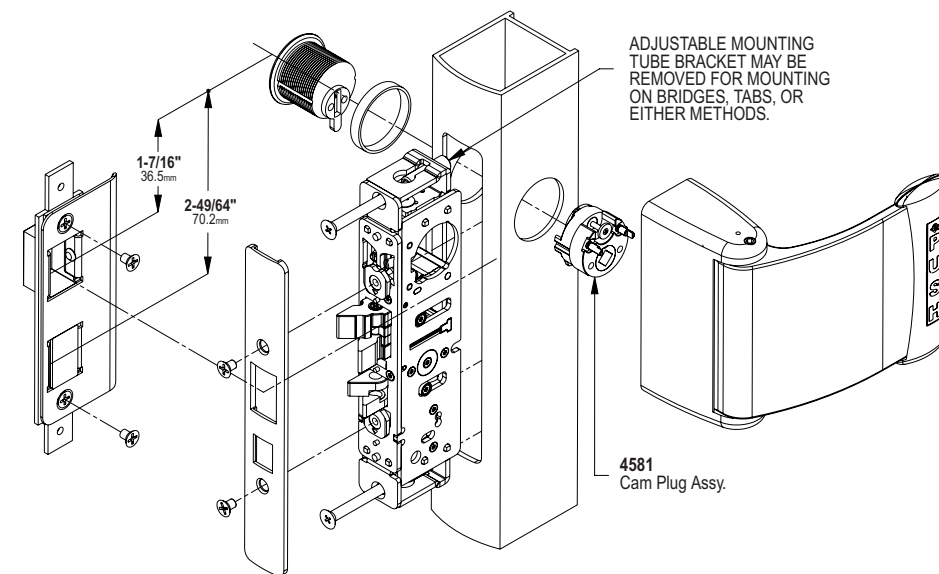
FLAT FACEPLATE CAN BE ADJUSTED FOR RIGHT OR LEFT BEVELED EDGE DOORS. RADIUS WEATHERSTRIP IS OPTIONAL.

Stile Preparation



ADJUSTABLE MOUNTING TUBE BRACKET MAY BE REMOVED FOR MOUNTING ON BRIDGES, TABS, OR EITHER METHODS.

Latch, Paddle & Cylinder Installation



HOW TO ORDER STEEL HAWK 4300 ELECTRIFIED DEADLATCH (ELATCH)

Specify quantity and the following information. Order related products separately.

Product No.	BACKSET	MONITORING	STRIKE	STIRKE SHAPE/LIP LENGTH	FACEPLATE FINISH
4300	-3	M	-2	01	-628
	2 31/32"	0 None	1 Surface Mount (4304)	01 Flat/Standard Jamb	313 Dark Bronze Anodized
	3 1-1/8"	M Monitored	2 Mortised (4901) 4-5/8"	02 Radius/Standard Stiles**	335 Black Anodized
	4 1-1/2"			17 Flat/Center Hung 4" Jamb**	628 Clear Anodized
				21 Flat/Center Hung 4-1/2" Jamb**	

** See ACCESSORIES for available 4901 strike options

4300 STEEL HAWK RITE PACK

Specify quantity and the following information. Order related products separately.

Product No.	BACKSET	MONITORING	STRIKE	RITE Pack
4300	-3	0	-1	RP
	2 31/32"	0 None	1 Surface Mount (4304)	
	3 1-1/8"		2 Mortised (4901) 4-5/8"	

RELATED PRODUCTS When purchasing this product, please consider the following related products, available separately:

Accessories	Cylinders	Trim	Power
Lock mounting accessories and options.	4300 Electrified Deadlatch is operable by any standard 1-5/32" diameter mortise cylinder with MS® cam.	Entry trim, paddles and handles.	4605 Transformer, 4603 Rectifier, PS-1, and 4612 Power Transfer Device.

4510 Standard Duty Deadlatch



ALUMINUM

GRADE 1
E8231

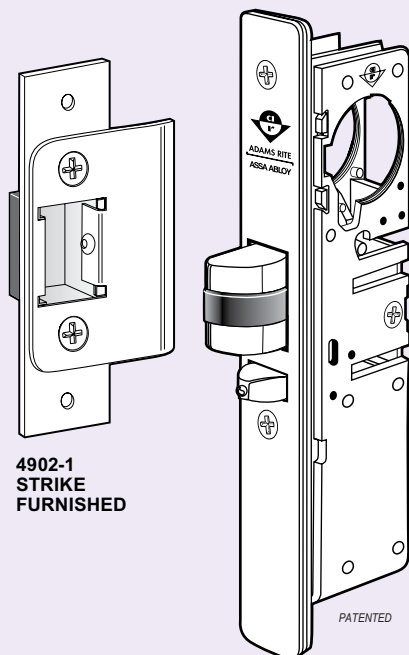
4510 Standard Duty Deadlatches provide flexible traffic control during and after business hours.

Function

The 4510 Standard Duty Deadlatch offers flexibility of traffic control during and after business hours. A reverse turn of the key while the bolt is held retracted retains the bolt to allow two-way traffic for hospitals, banks, stores, and other buildings which require free entrance at certain times and exit-only at other times. Interchangeable, without stile modification, with any MS1850A or MS1850S Deadlock of same backset and faceplate shape. Does not, however, provide the same maximum security level as the MS® Deadlock.

Operation

Turn key or operate handle to retract spring-loaded Latchbolt. To hold bolt retracted, push it in and secure by reverse turn of key. Uses any standard mortise cylinder with MS® dimensioned cam.



4902-1
STRIKE
FURNISHED

PATENTED

Specifications

BOLT HOLDBACK

- While bolt is held fully retracted, a reverse turn of the key retains the bolt, allowing the door to be free swinging.

CYLINDER BACKSET

- 7/8", 31/32", 1-1/8" or 1-1/2" only.

CASE

- Measures 1" x 5-13/16" x depth. Depth varies by backset (see table on back of page). Steel with corrosion-resistant plating.

LATCHBOLT

- 1/2" x 1" x 1/2" throw. All metal with hardened steel internal pins. Handing is reversible without special tools.

AUXILIARY BOLT

- All metal. Deadlocks latchbolt to prevent "loiding" or case-knife entry.

FACEPLATE

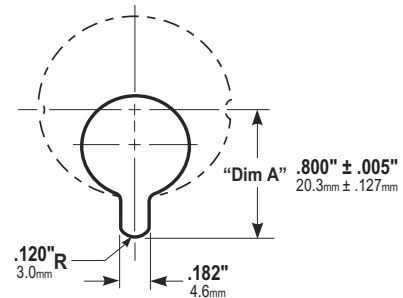
- Measures 1" x 6-7/8".

STRIKES

- Standard strike furnished is 4902-01 for flat jamb where door closes flush or nearly flush. Available separately: radius strike for opposite stile in paired doors; longer strike (4901) to cover slot strike of MS lock; long lip strikes for centerhung doors.

CYLINDER CAM

- 4510 Standard Duty Deadlatches are operable by any standard 1-5/32" diameter mortise cylinder with MS® cam dimensioned as shown. Cylinders with MS® cams can be readily obtained from most cylinder manufacturers. See CYLINDERS section for cylinder make, thumbturn and trim ring information.

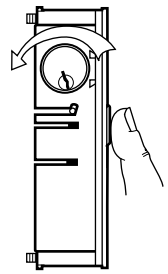


OPTIONS

- Backset, faceplate shape, strike, handing, and finish must be specified when ordering.

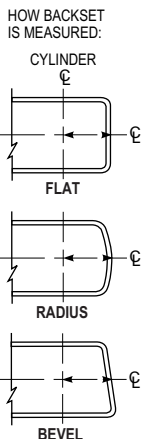
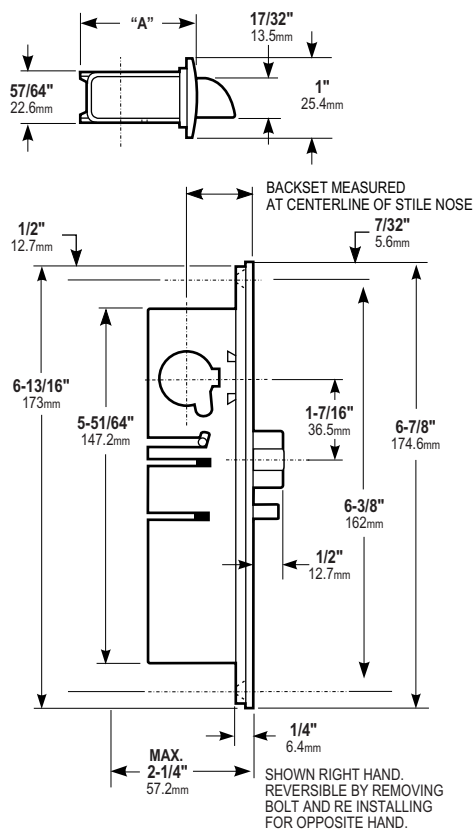
STANDARD PACKAGE

- Individually boxed with strike, and machine screws for mounting. Cylinders, paddles, and handles available separately. Shipping weight: 1-1/4 lbs. Also available in a 25-unit pack for volume customers.



All measurements are approximate and are provided for informational purposes only. Refer to the product Installation Instructions.

Dimensions

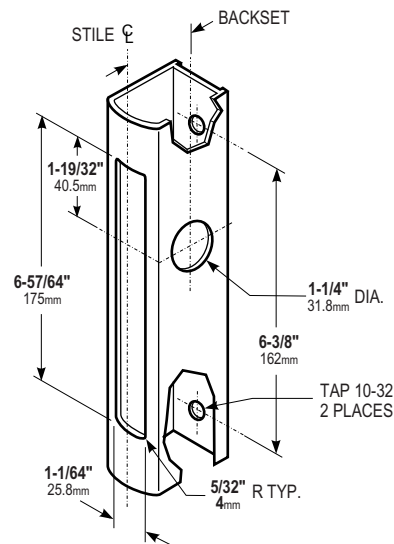


BACKSET	"A"
7/8" 22.2mm	1-33/64" 38.5mm
31/32" 24.6mm	1-19/32" 40.5mm
1-1/8" 28.6mm	1-49/64" 44.8mm
1-1/2" 38.1mm	2-9/64" 54.4mm

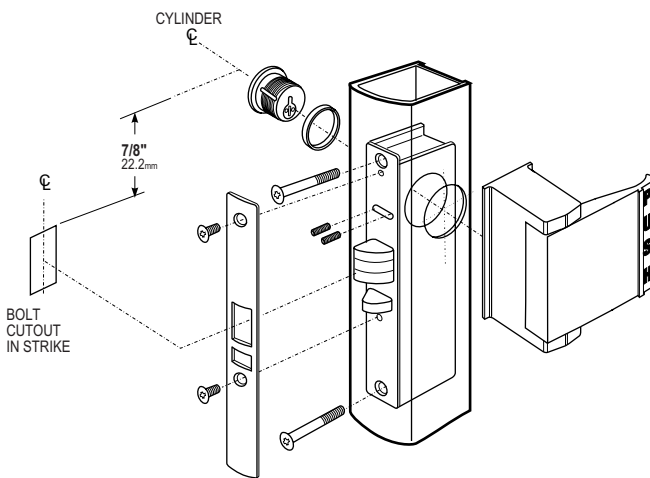
ARMORED FACEPLATE 1" X 6-7/8"
FLAT 4510
RADIUS 4511
RADIUS W/ WEATHERSTRIP 4511W
LH BEVEL 4512-X5
RH BEVEL 4512-x6

Stile Preparation

Identical to MS 1850A Series (See also prep for 4590 Paddle)



Latch Paddle & Cylinder Installation



HOW TO ORDER 4510 STANDARD DUTY DEADLATCH

Specify quantity and the following information. Order related products separately.

Product No.	FACEPLATE	BACKSET	HANDING	STRIKE SIZE	STRIKE SHAPE/LIP LENGTH	FACEPLATE FINISH
451	1	-3	6	-2	01	-628
	0 Flat	1 7/8"	5 LH or RHR	1 Mortised (4901) 4-5/8"	01 Flat/Standard Jamb	313 Dark Bronze Anodized
	1 Radius	2 31/32"	6 RH or LHR	2 Mortised (4902) 2-5/8"	02 Radius/Standard Stiles	335 Black Anodized
	1W Radius with weatherstrip	3 1-1/8"			17 Flat/Center Hung 4" Jamb	628 Clear Anodized
	2 Bevel	4 1-1/2"			21 Flat/Center Hung 4-1/2" Jamb	

RELATED PRODUCTS When purchasing this product, please consider the following related products, available separately:

Accessories

Lock mounting accessories and options.

Cylinders

4510 Standard Duty Deadlatches are operable by any standard 1-5/32" diameter mortise cylinder with MS® cam.

Trim

Entry trim, paddles, handles and lever operators.

Electric Strikes

Application specific.

4530 Standard Duty Deadlatch



ALUMINUM

GRADE 1
E8231

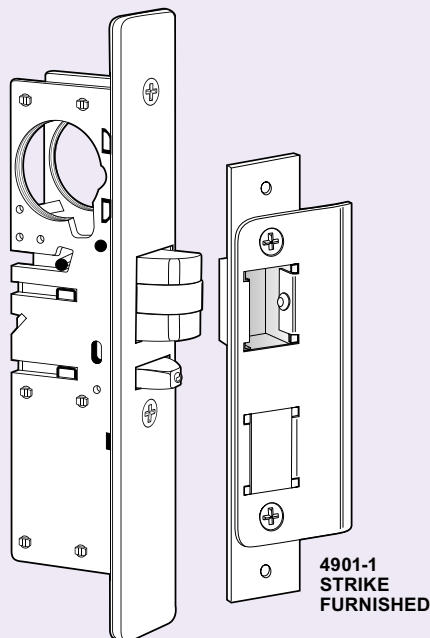
4530 Standard Duty Deadlatches provide flexible traffic control during and after business hours. Designed to retrofit into the prep of older MS1850 Deadlocks and 4250 Deadlatches.

Function

The 4530 Standard Duty Deadlatch offers flexibility of traffic control during and after business hours. A reverse turn of the key while the bolt is held retracted retains the bolt to allow two-way traffic for hospitals, banks, stores, and other buildings which require free entrance at certain times and exit-only at other times. 4530 Deadlatches are designed to fit without alteration, the stile cutout for older MS1850 Deadlocks and discontinued 4250 Deadlatches of same backset.

Operation

Turn key or operate handle to retract spring-loaded Latchbolt. To hold bolt retracted, push it in and secure by reverse turn of key. Uses any standard mortise cylinder with MS[®] dimensioned cam.



Specifications

BOLT HOLDBACK

- While bolt is held fully retracted, a reverse turn of the key retains the bolt, allowing the door to be free swinging.

CYLINDER BACKSET

- 7/8", 31/32", or 1-1/8" only.

CASE

- Measures 1" x 5-13/16" x depth. Depth varies by backset (see table on back of page). Steel with corrosion-resistant plating.

LATCHBOLT

- 1/2" x 1" x 1/2" throw. All metal with hardened steel internal pins. Handing is reversible without special tools.

AUXILIARY BOLT

- All metal. Deadlocks latchbolt to prevent "loiding" or case-knife entry.

FACEPLATE

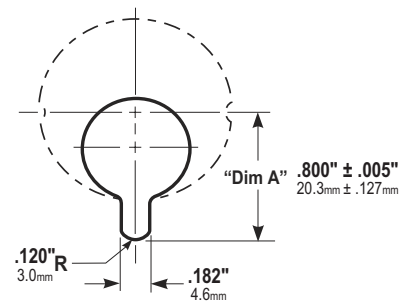
- Measures 1-1/4" x 7-13/32".

STRIKES

- Standard strike furnished is 4901-01 for flat jamb. For dimensions of this as well as radiused and/or short strikes see ACCESSORIES section of this catalog.

CYLINDER CAM

- 4530 Standard Duty Deadlatches are operable by any standard 1-5/32" diameter mortise cylinder with MS[®] cam dimensioned as shown. Cylinders with MS[®] cams can be readily obtained from most cylinder manufacturers. See CYLINDERS section for cylinder make, thumbturn and trim ring information.

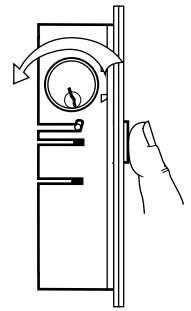


OPTIONS

- Backset, faceplate shape, strike, handing, and finish must be specified when ordering.

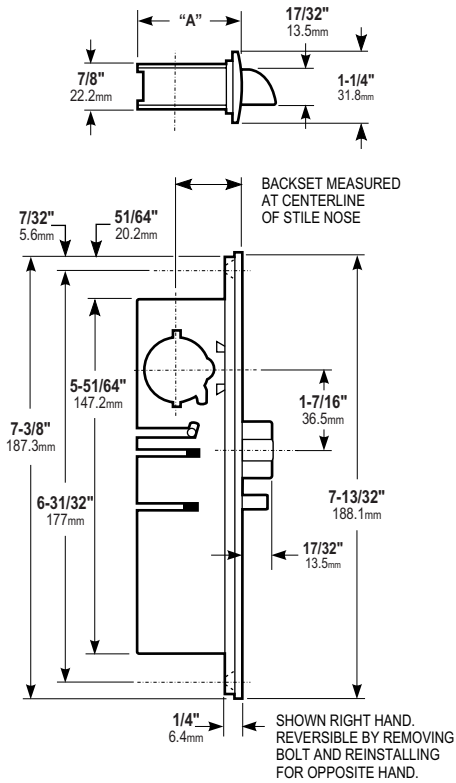
STANDARD PACKAGE

- Individually boxed with strike and machine screws for mounting. Cylinders, paddles, and handles available separately. Shipping weight: 1-1/4 lbs.

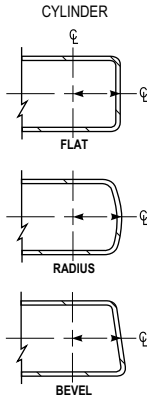


All measurements are approximate and are provided for informational purposes only. Refer to the product Installation Instructions.

Dimensions



HOW BACKSET IS MEASURED:



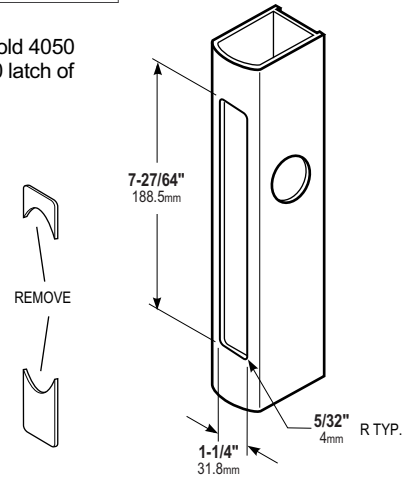
BACKSET	"A"
7/8" 22.2mm	1-33/64" 38.5mm
31/32" 24.6mm	1-19/32" 40.5mm
1-1/8" 28.6mm	1-49/64" 44.8mm

ARMORED FACEPLATE 1-1/4" X 7-13/32"
FLAT 4530
RADIUS 4531
LH BEVEL 4532-X5
RH BEVEL 4532-X6

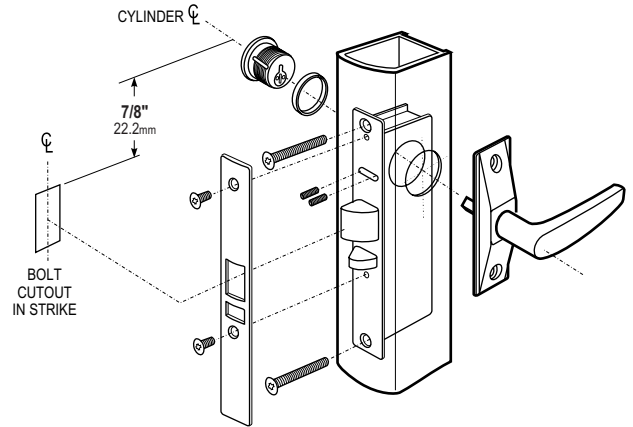
Stile & Jamb Preparation

To replace old MS1850 lock or 4250 latch of same backset:
NO PREPARATION REQUIRED

To replace 4070 lock, old 4050 latch, 970 lock or 1450 latch of same backset:



Latch Paddle & Cylinder Installation



HOW TO ORDER 4530 STANDARD DUTY DEADLATCH

Specify quantity and the following information. Order related products separately.

Product No.	FACEPLATE	BACKSET	HANDING	STRIKE SIZE	STRIKE SHAPE/LIP LENGTH	FACEPLATE FINISH
453	1	-3	6	-1	01	-628
	0 Flat	1 7/8"	5 LH or RHR	1 Mortised (4901) 4-5/8"	01 Flat/Standard Jamb	313 Dark Bronze Anodized
	1 Radius	2 31/32"	6 RH or LHR	2 Mortised (4902) 2-5/8"	02 Radius/Standard Stiles	335 Black Anodized
	2 Bevel	3 1-1/8"			17 Flat/Center Hung 4" Jamb	628 Clear Anodized
					21 Flat/Center Hung 4-1/2" Jamb	

RELATED PRODUCTS When purchasing this product, please consider the following related products, available separately:

Accessories

Lock mounting accessories and options.

Cylinders

4530 Standard Duty Deadlatches are operable by any standard 1-5/32" diameter mortise cylinder with MS® cam.

Trim

Entry trim, paddles, handles and lever operators.

Electric Strikes

Application Specific.

4781 Two-Point Deadlatch with Paddle

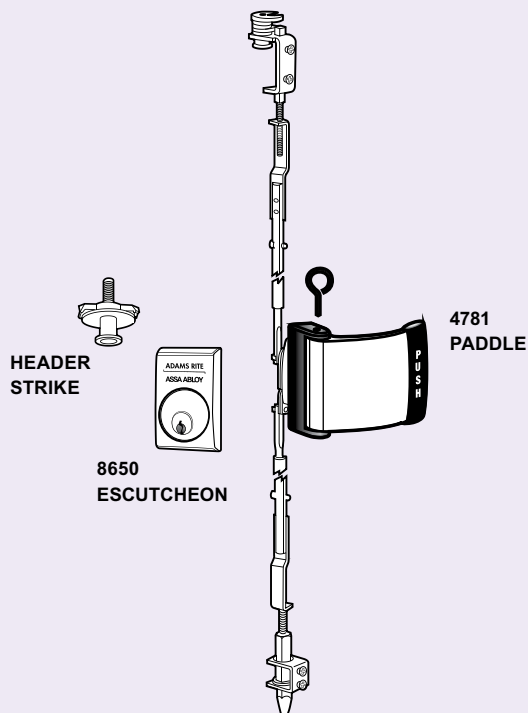


ALUMINUM

The 4781 Two-Point Deadlatch latches to header and threshold allowing both door leaves to remain active. It is designed for paired outswinging narrow stile doors, but is also suitable for single doors.

Function

Designed for paired outswinging narrow stile doors but also suitable for single doors. Instead of operating a conventional horizontal-throw latchbolt, the 4781 Two-Point Deadlatch latches to header and threshold. This allows both door leaves to be "active". There is no need to pin one door with flushbolts or other devices. The paddle is a modified version of the 4591 Deadlatch Paddle (see TRIM) and the concealed vertical rod mechanism is the same as used in Adams Rite's 8600 Series Exit Devices (see EXIT DEVICES). Note, however, that the 4781 Two-Point Deadlatch is not intended to substitute for an exit device, which must have a door-spanning bar.



Inside Operation

Push paddle to unblock top bolt and withdraw bottom bolt. Continuing to push will open the door in a very natural, ergonomically-friendly motion. Paddle stroke is approximately 1-1/2" at extreme end. Rod adjustment allows paddle (centerline) to be mounted at any height from 30 to 44 inches above the finished floor.

Outside Operation

If key entry operation is required, any standard mortise cylinder with MS® cam can be installed through an 8650 Cylinder Escutcheon. Any of the entry trim available with Adams Rite exit devices can be specified, in the version used for CVR devices.

Specifications

PADDLE DOGGING

- Turning hex screw in paddle escutcheon holds paddle down, leaving door free-swinging.

TOP BOLT

- Similar to door latches on some automobiles and aircraft, the U-shaped bolt wraps around the strike post to deadlock position, which also deadlocks the bottom bolt through a gear train at the center of the rod assembly.

HEADER STRIKE

- A flanged post installed on the header has generous location adjustment to allow for door misalignment, sag, bumpers, etc. Designed to prevent forced entry by bowing the door.

BOTTOM BOLT

- Stainless hexagonal steel bolt requires only a 1/2" diameter hole in threshold for a strike.

DOOR SIZE

- Standard unit will fit doors up to 66" above the paddle height (110" door if paddle is at max 44" height). For taller doors, order 8655 Tall Door Kit, which allows up to 97" above paddle.

OPTIONS

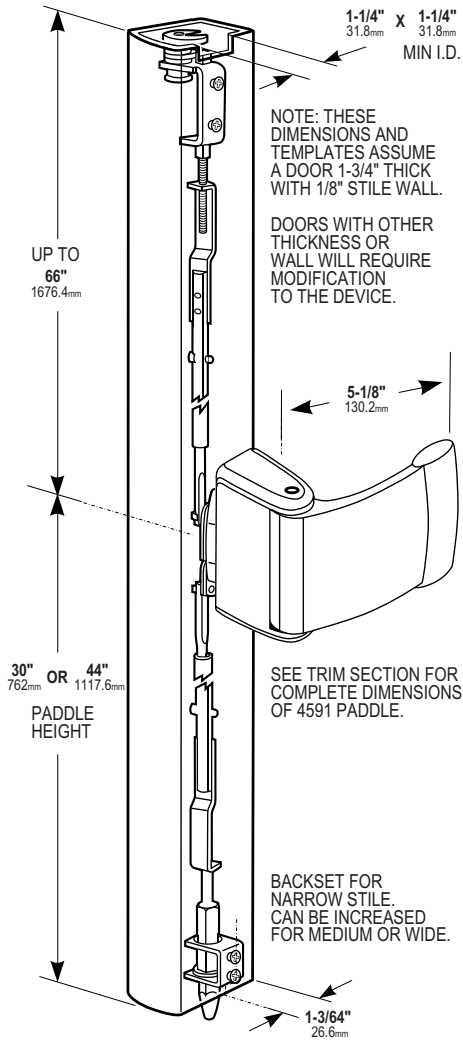
- Can be exit only or allow key access from outside with use of 8650 Cylinder Escutcheon. Entry trim available with Adams Rite exit devices can also be specified, in the version used for CVR devices.

STANDARD PACKAGE

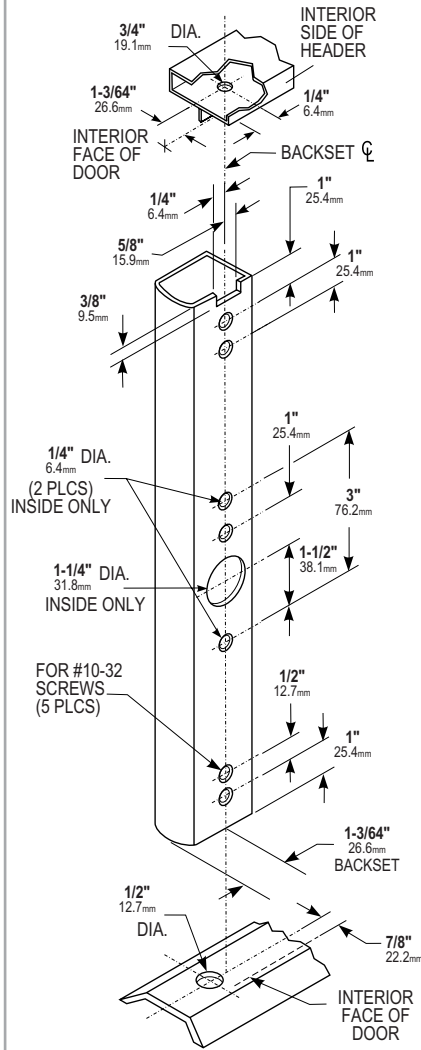
- Individually boxed with mounting screws and installation instructions. Shipping weight: 3 lbs.

All measurements are approximate and are provided for informational purposes only. Refer to the product Installation Instructions.

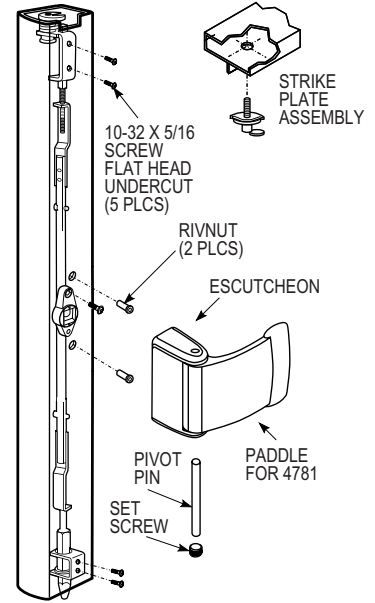
Dimensions



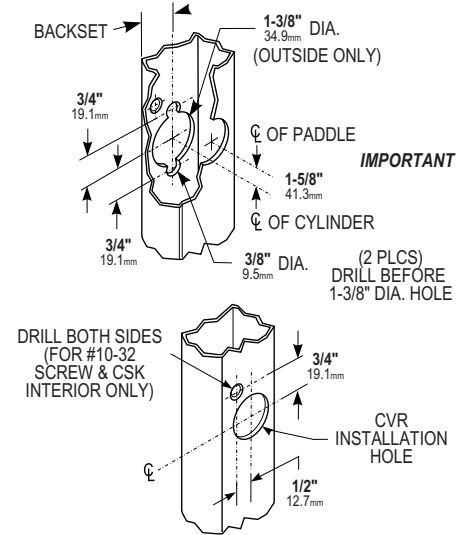
Door Preparation



Installation



Door Preparation WITH 8650 ESCUTCHEON*



*Other cylinder escutcheons for use with 17mm profile cylinders (in 44 or 55mm thick doors only) are also available and require different door prep than shown.

HOW TO ORDER 4781 TWO-POINT DEADLATCH Specify quantity and the following information. Order related products separately.

Product no.	OPERATION	PADDLE FINISH
4781	T -021	-628
T Top rod only	021 Push to LEFT	313 Dark Bronze Anodized US3 Bright Brass
- Standard rod	041 Push to RIGHT	335 Black Anodized US26 Bright Chrome
		628 Clear Anodized US26D Satin Chrome

RELATED PRODUCTS When purchasing this product, please consider the following related products, available separately:

Accessories

- 8650 Cylinder Escutcheon.
- 8655 Tall Door Kit.

Cylinders

- 4781 Two-Point Deadlatch is operable by any standard 1-5/32" diameter mortise cylinder with MS® cam.
- 4036 Mortise Cylinder.

Special Order Options

- 3080 Entry Trim.

4900 Heavy Duty Deadlatch



ALUMINUM

GRADE 1
E8231

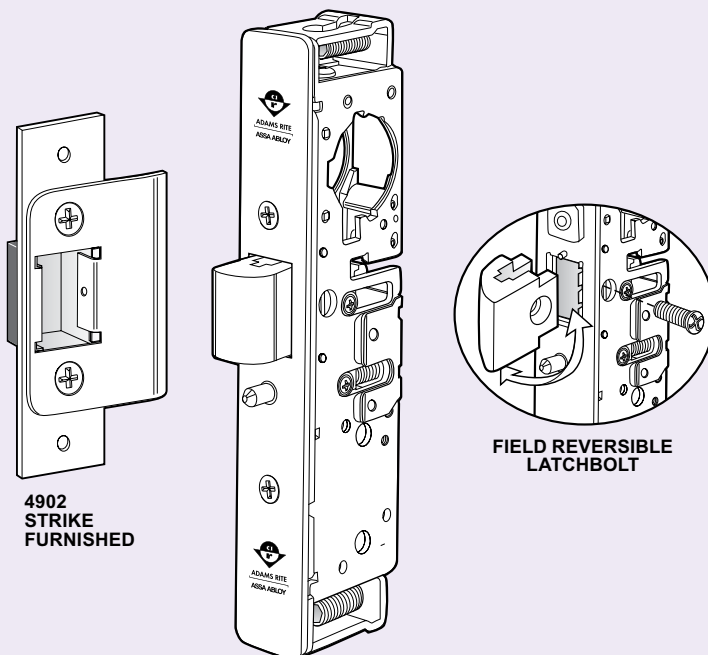
4900 Heavy Duty Deadlatch provides flexible traffic control and easy installation.

Function

Flexibility of traffic control and installation is offered by 4900 Heavy Duty Deadlatches. A reverse turn of the key while bolt is held retracted retains the bolt, to allow two-way traffic for applications which require free entrance at certain times and exit-only at other times. Interchangeable, without stile modification, with any MS1850A or MS1850S deadbolt of same backset and faceplate shape. Also retrofits to existing 4500 and 4700 Deadlatch preparations. 1-3/4" minimum door thickness required.

Operation

Turn key or operate handle or paddle to retract spring-loaded Latchbolt. To hold bolt retracted, push it in and secure by reverse turn of key. Uses any standard 1-5/32" mortise cylinder with MS® dimensioned cam.



4902
STRIKE
FURNISHED

FIELD REVERSIBLE
LATCHBOLT

Specifications

BOLT HOLDBACK

- While bolt is held fully retracted, a reverse turn of the key retains the bolt, allowing the door to be free swinging.

CYLINDER BACKSET

- 31/32", 1-1/8", or 1-1/2".

CASE

- Measures 7/8" x 5-13/16" x depth. Depth varies by backset (see table on back of page). Steel with corrosion-resistant plating. Screw-fastened tube spacer brackets allow for cleaner removal when tab mounting.

LATCHBOLT

- 5/8" x 1" x 5/8" throw. Solid brass. Handing is easily reversible using only a screwdriver.

AUXILIARY LATCHPIN

- Stainless steel. Deadlocks Latchbolt to prevent "loiding" or case-knife entry.

FACEPLATES

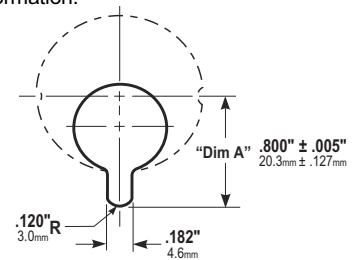
- Measures 1" x 6-7/8". Both flat and radius faceplates are supplied. Flat faceplates can also be adjusted in the field for right or left beveled edge doors.

STRIKES

- Standard strike furnished is 4902 for flat jamb where door closes flush or nearly flush. Specify 4901 for retrofit installations. Also available: radius strike for opposite stile in paired doors and long lip strikes for centerhung doors.

CYLINDER CAM

- 4900 Heavy Duty Deadlatches are operable by any standard 1-5/32" diameter mortise cylinder with MS® cam dimensioned as shown. Cylinders with MS® cams can be readily obtained from most cylinder manufacturers. See CYLINDERS section for cylinder make, thumbturn and trim ring information.

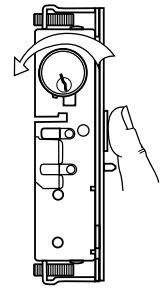


OPTIONS

- Backset, strike, and finish must be specified when ordering. See 4920AN Heavy Duty Deadlatch (ANSI Size) for wood and hollow metal door applications.

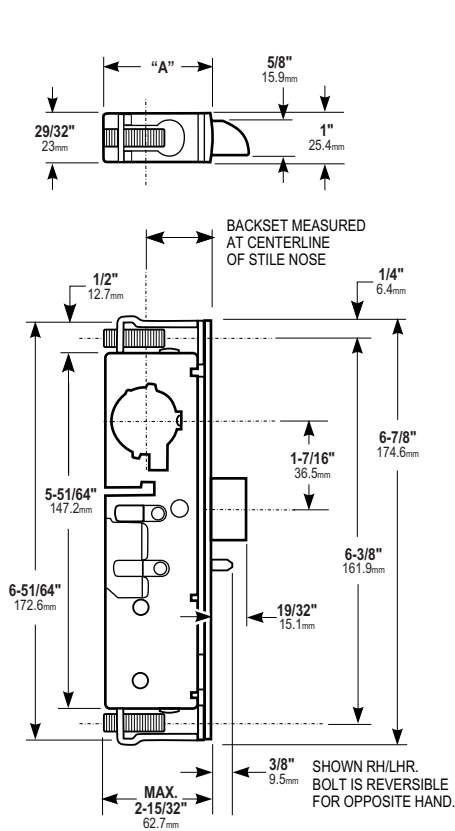
STANDARD PACKAGE

- Individually boxed with flat and radius faceplates, strike, and machine screws for mounting. Order cylinders, paddles, handles, or lever operators separately. Shipping weight: 1-1/4 lbs.



All measurements are approximate and are provided for informational purposes only. Refer to the product Installation Instructions.

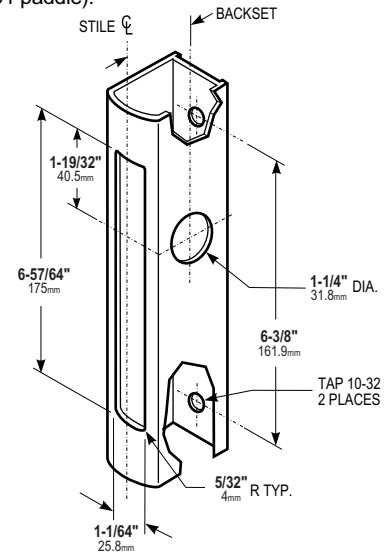
Dimensions



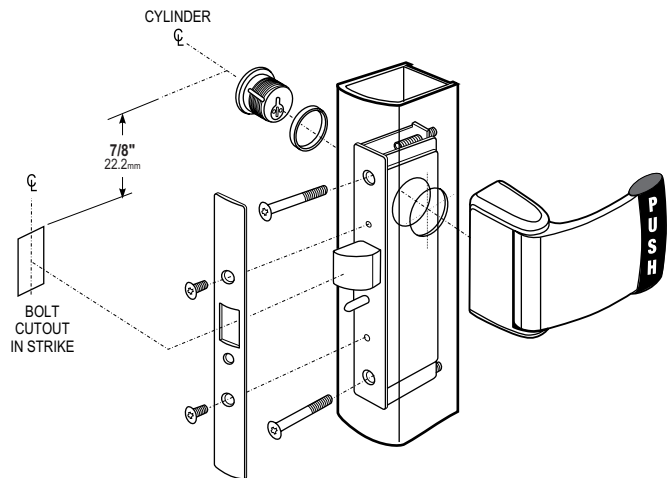
BACKSET	"A"
31/32" 24.6mm	1-5/8" 41.3mm
1-1/8" 28.6mm	1-49/64" 44.8mm
1-1/2" 38.1mm	2-9/64" 54.4mm

Stile Preparation

Identical to MS1850A or MS1850S Series (See also prep for 4591 paddle).



Latch Paddle & Cylinder Installation



HOW TO ORDER 4900 HEAVY DUTY DEADLATCH

Specify quantity and the following information. Order related products separately.

Product No.	Faceplate	BACKSET	HANDING	STRIKE SIZE	STRIKE SHAPE/LIP LENGTH	FACEPLATE FINISH
49	00	-3	5	-2	01	-628
	00 Standard	2 31/32"	5 LH or RHR	1 Mortised (4901) 4-5/8"	01 Flat/Standard Jamb	313 Dark Bronze Anodized
	11W Radius w/Weatherseal	3 1-1/8"	6 RH or LHR	2 Mortised (4902) 2-5/8"	02 Radius/Standard Stile	335 Black Anodized
		4 1-1/2"			17 Flat/Center Hung 4" Jamb	628 Clear Anodized
					21 Flat/Center Hung 4-1/2" Jamb	

RELATED PRODUCTS When purchasing this product, please consider the following related products, available separately:

Accessories

Lock mounting accessories and options.

Cylinders

4900 Heavy Duty Deadlatches operable by any standard 1-5/32" diameter mortise cylinder with MS® cam.

Trim

Entry trim, paddles, handles and lever operators.

Electric Strikes

Application specific.

4920AN Heavy Duty Deadlatch (ANSI Size)



HOLLOW
METAL



WOOD

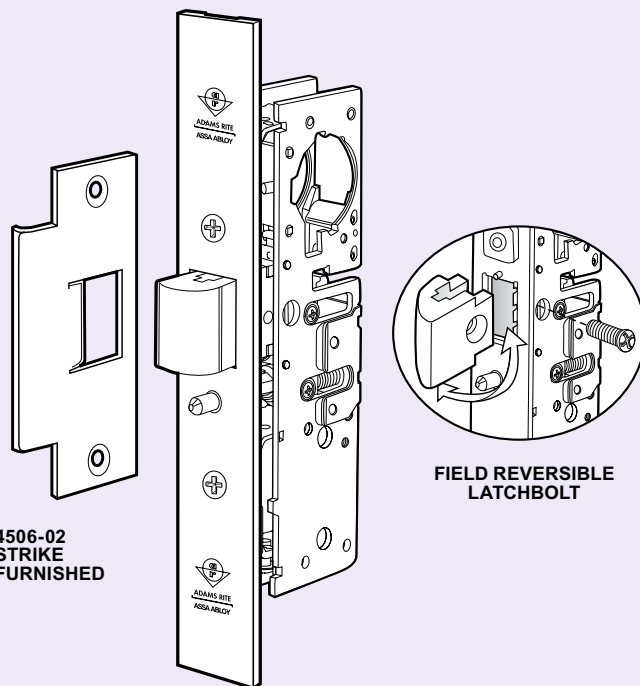


GRADE 1
E8231

4920AN Heavy Duty Deadlatch provides flexible traffic control and easy installation for wood or hollow metal doors.

Function

For hollow metal or wood doors prepared for hardware according to the specifications of the American National Standards Institute (ANSI), 4920AN Heavy Duty Deadlatches provide precise traffic control. A key-controlled bolt hold-back feature allows a door to free-swing part of the day and exit-only when the bolt is free to latch. This allows a "locked" entrance to be used as an exit by customers or visitors already in the building. Interchangeable, without door modification, with any MS1850SN Deadlock of same faceplate shape and backset. Replaces 4520 and 4720 ANSI Deadlatches. 1-3/4" minimum door thickness required.



Operation

Turn key or operate handle to retract spring-loaded Latchbolt. To hold bolt retracted, push it in and secure by reverse turn of key. Uses any standard mortise cylinder with MS® dimensioned cam.

Specifications

BOLT HOLDBACK

- While bolt is held fully retracted, a reverse turn of the key retains the bolt, allowing the door to be free swinging.

CYLINDER BACKSET

- 1-1/2" or 2-3/4" only.

CASE

- Measures 7/8" x 5-13/16" x depth. Depth varies by backset (see table on back of page). Steel with corrosion-resistant plating.

LATCHBOLT

- 5/8" x 1" x 5/8" throw. Solid brass. Handing is easily reversible using only a screwdriver.

AUXILIARY LATCHPIN

- Stainless steel. Deadlocks latchbolt to prevent "loiding" or case-knife entry.

FACEPLATE

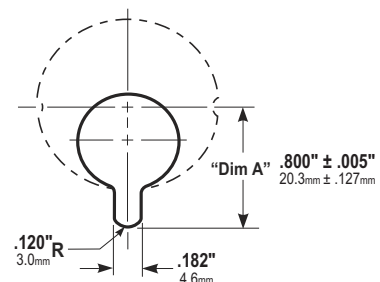
- 1-1/4" x 8" armored flat faceplate can also be adjusted in the field for right or left beveled edge doors.

STRIKES

- Stainless steel, US32D Satin finish (630). 4506-02 Strike furnished to ANSI preparation specifications for flat jamb.

CYLINDER CAM

- 4920AN Heavy Duty Deadlatches are operable by any standard 1-5/32" diameter mortise cylinder with MS® cam dimensioned as shown. Cylinders with MS® cams can be readily obtained from most cylinder manufacturers. See CYLINDERS section for cylinder make, thumbturn and trim ring information.

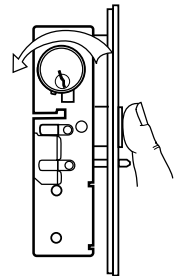


OPTIONS

- Backset, strike, and finish must be specified when ordering. See 4900 Heavy Duty Deadlatch for aluminum stile door applications.

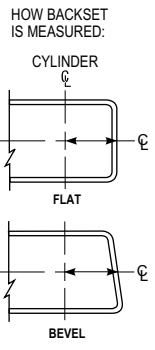
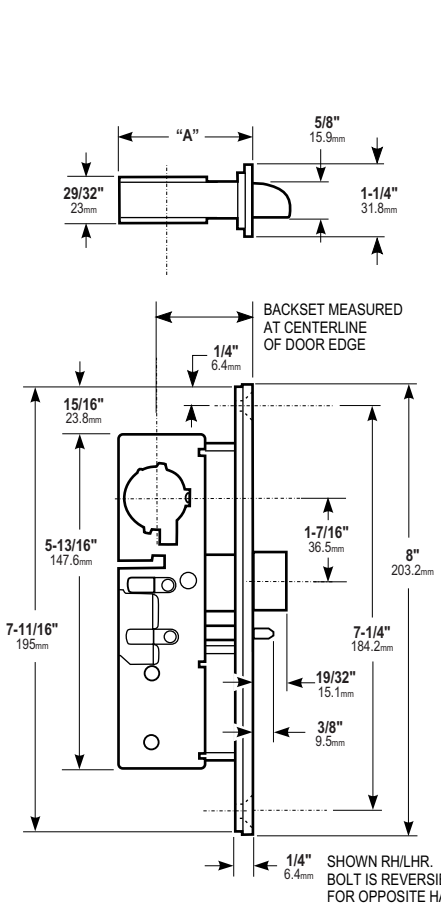
STANDARD PACKAGE

- Individually boxed with faceplate, strike, and machine screws for mounting. Order cylinders, paddles, handles or lever operators separately. Shipping weight: 1-1/4 lbs.

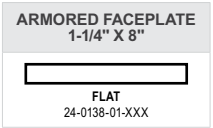


All measurements are approximate and are provided for informational purposes only. Refer to the product Installation Instructions.

Dimensions Nominal, subject to tolerance extremes



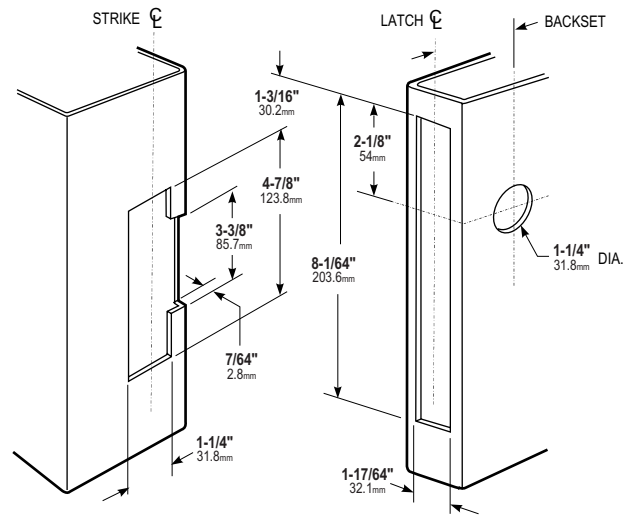
BACKSET	"A"
1-1/2" 38.1mm	2-9/64" 54.4mm
2-3/4" 69.9mm	3-25/64" 86.1mm



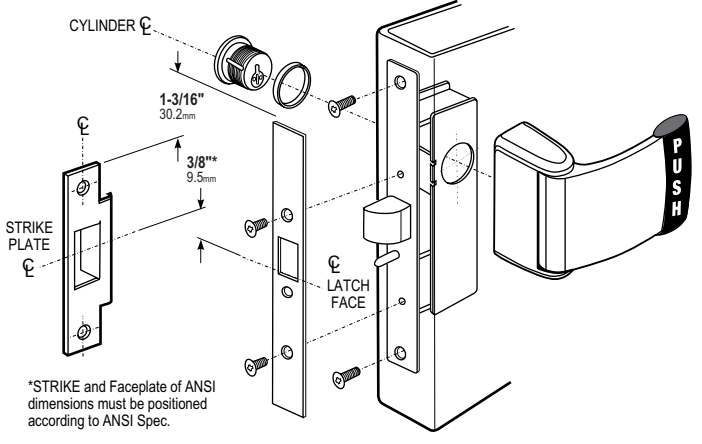
Flat faceplate can be adjusted for right or left beveled edge doors.

Jamb & Door Preparation

Identical to MS1850SN Series (See also prep for 4591 paddle).



Latch Paddle & Cylinder Installation



*STRIKE and Faceplate of ANSI dimensions must be positioned according to ANSI Spec.

HOW TO ORDER 4920AN HEAVY DUTY DEADLATCH (ANSI SIZE)

Specify quantity and the following information. Order related products separately.

Product No.	BACKSET	HANDING	STRIKE	FACEPLATE FINISH
4920AN	4	6	-602	-313
	4 1-1/2"	5 LH or RHR	000 Less Strike	313 Dark Bronze Anodized
	5 2-3/4"	6 RH or LHR	602 4506 Strike	335 Black Anodized
				628 Clear Anodized

RELATED PRODUCTS When purchasing this product, please consider the following related products, available separately:

<p>Accessories</p> <p>Lock mounting accessories and options.</p>	<p>Cylinders</p> <p>4920AN Heavy Duty Deadlatches (ANSI Size) operable by any standard 1-5/32" diameter mortise cylinder with MS® cam.</p>	<p>Trim</p> <p>Entry trim, paddles, handles and lever operators.</p>	<p>Electric Strikes</p> <p>Application sepecific.</p>
---	---	---	--

Options & Accessories for Deadlatches

Adams Rite Deadlatches can be ordered with a variety of related products including strike plates, cylinder accessories, electric strikes and trim. Different deadlatches have different installation and cylinder requirements. Please refer to product pages for more information on all available deadlatch types, functions, installation requirements and complete How-to-Order guides.

For more detailed information on any of the products listed below please refer to the corresponding section of this catalog.

ACCESSORIES

4901, 4902 DEADLATCH STRIKES

4901, 4902 Deadlatch Strikes add aesthetics and finish to strike cutouts in jambs. These strikes offer a choice of mounting methods: a backup mounting plate included with the 4901 and 4902 allows installation flush in a hollow section jamb. 4506-02 ANSI strike available for wood or steel jambs.

CYLINDERS

4036 MORTISE CYLINDER

The 4036 Mortise Cylinder is a standard 1" long, 1-5/32" diameter cylinder that provides five-pin security with most Adams Rite locks or latches.

4066 THUMBTURN

The 4066 Thumbturn interchanges with standard 1-5/32" diameter mortise cylinder and operates locks or latches without a key.

MS4043 CYLINDER GUARD

The MS4043 Cylinder Guard is a hardened-steel, free-swiveling ring to protect cylinder from vandalism such as prying or twisting.

ELECTRIC STRIKES

7100, 7400 SERIES ELECTRIC STRIKES

The 7100 Series Electric Strikes and Ultraline 7400 Series Electric Strikes are designed for use with Adams Rite deadlatches or cylindrical locksets with a variety of latchbolt projections. An assortment of faceplate dimensions is available for use in hollow metal, wood or aluminum applications.

POWER

4603 RECTIFIER

Converts low voltage AC current to DC of same voltage. Installs in low voltage line between transformer and strike. Full wave bridge type. Rated 2 Amps. (200 PIV).

4605 TRANSFORMER

Converts 120VAC to 12VAC/24VAC. Rated 40 Volt-amp output assures plenty of power for strike release.

4606 TRANSFORMER

Converts 120VAC current to 24VAC. Plugs into standard wall outlet.

29-0218 PIEZO HORN

Provides for audible indication of when a DC strike is energized. Operates with 12 VDC, 16 VDC, or 24 VDC strikes.

4612 POWER TRANSFER DEVICE

The 4612 Power Transfer Device channels electrical wiring from the door frame into the door itself. This powers electric strikes, locks, exit bars, and more on door hung with butt-type hinges.

PS-1 POWER SUPPLY

One amp linear power supply with integrated battery backup circuitry for access control devices.

TRIM

3080 SERIES ENTRY TRIM

The Grade 1 3080 Series Entry Trim provides outside activation for doors with any type of Adams Rite deadlatch or exit device. The locked handle is protected from vandalism and forced entry with a breakaway clutching mechanism. For 4781 Two-Point Deadlatch with Paddle the entry trim available must be specified in the version used for CVR exit devices.

3090 KEYLESS ENTRY

A battery-operated keyless entry control device, the eForce-150 3090 Keyless Entry provides access control for Adams Rite deadlocks, deadlatches, and exit devices for aluminum stile, steel, and wood door applications.

The eForce 3090P (Prox) and 3090C (iCLASS) Keyless Entries provide maximum security with either HID® Prox or iCLASS contactless card reader.

DEADLATCH HANDLES

The 4560 and 4565 Deadlatch Handles and 4568 and 4569 Euro Deadlatch Handles easily unlock the 4300, 4500 and 4900 Series Deadlatches. These handles fit solidly into the cylinder hole of the latch.

DEADLATCH PADDLES

The 4590, 4591 Deadlatch Paddle is an ergonomically-friendly alternative to a knob or lever handle. Operate the 4300, 4500 and 4900 Series Deadlatches with a simple push or pull.

4600 HEAVY DUTY DEADLATCH HANDLE

The 4600 Heavy Duty Designer Deadlatch Handles are designed with a patented adjustable drive mechanism to operate the 4300, 4500, and 4900 Series Deadlatches.



800.872.3267 • Fax 800.232.7329

10027 S. 51st Street, Ste 102
Phoenix, Arizona 85044

www.adamsrite.com