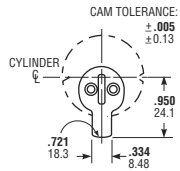
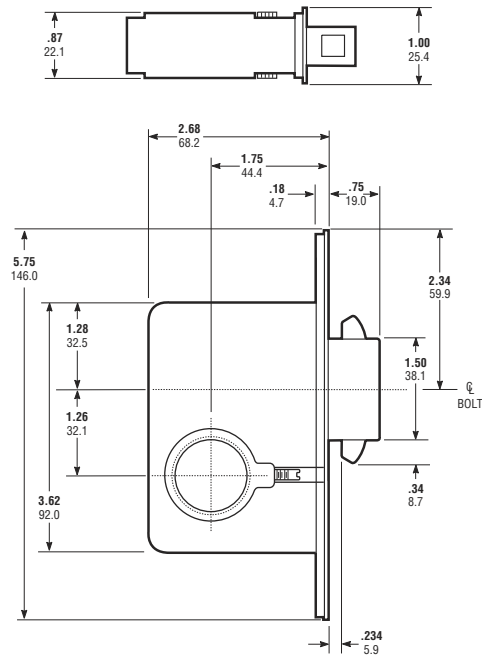


## DIMENSIONS

INCHES  
MILLIMETERS

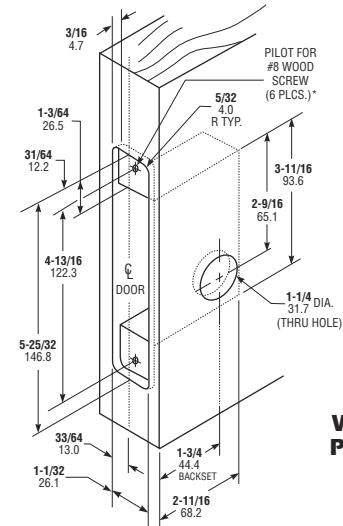
Nominal, subject to tolerance extremes.



### Cylinder Cam

2331 Deadbolts are operable by any standard 1-5/32" diameter mortise cylinder with standard cam dimensions as shown. Cylinders with such cams can be readily obtained from most cylinder manufacturers.

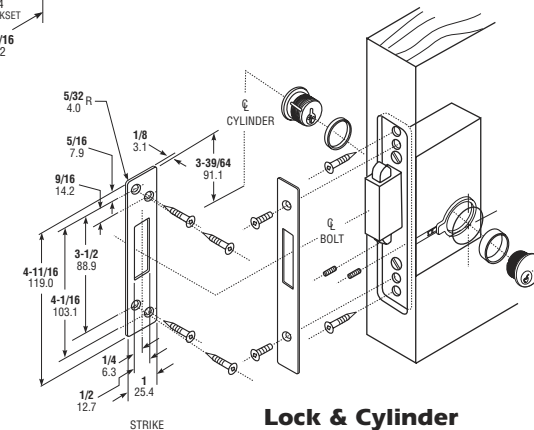
## INSTALLATION



NOTE: DIM'S SHOWN ARE RECOMMENDED MINIMUM.

\*TAP FOR 8-32 MACHINE SCREWS FOR METAL

### Wood Door Preparation



### Lock & Cylinder Installation



ADAMS RITE MANUFACTURING CO.

260 Santa Fe Street, Pomona, CA 91767  
Phone: (909) 632-2300 Fax: (909) 632-2369

2331 Heavy Duty Deadbolt