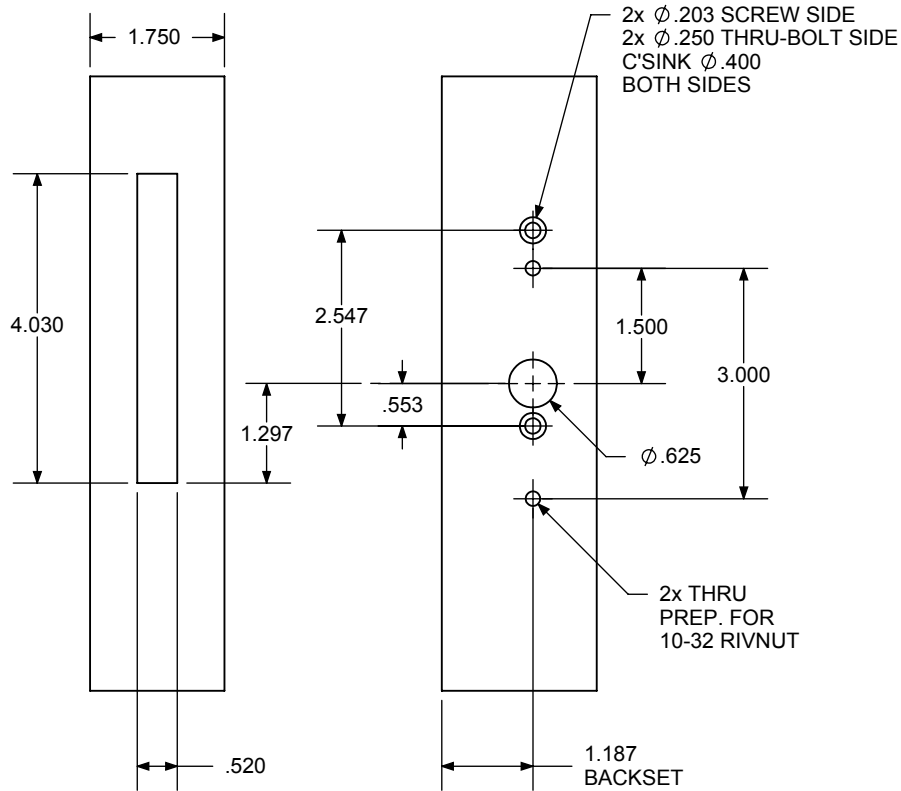
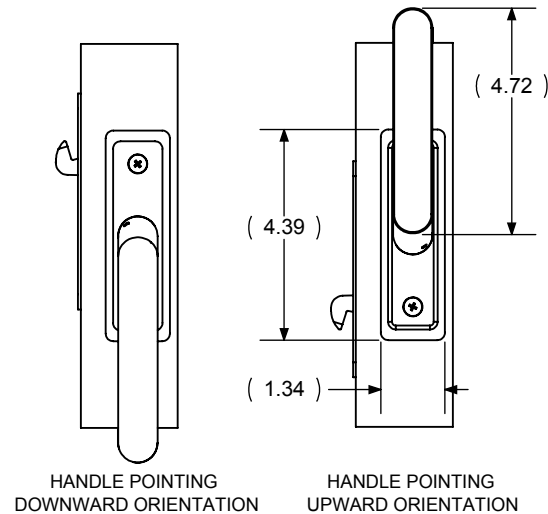
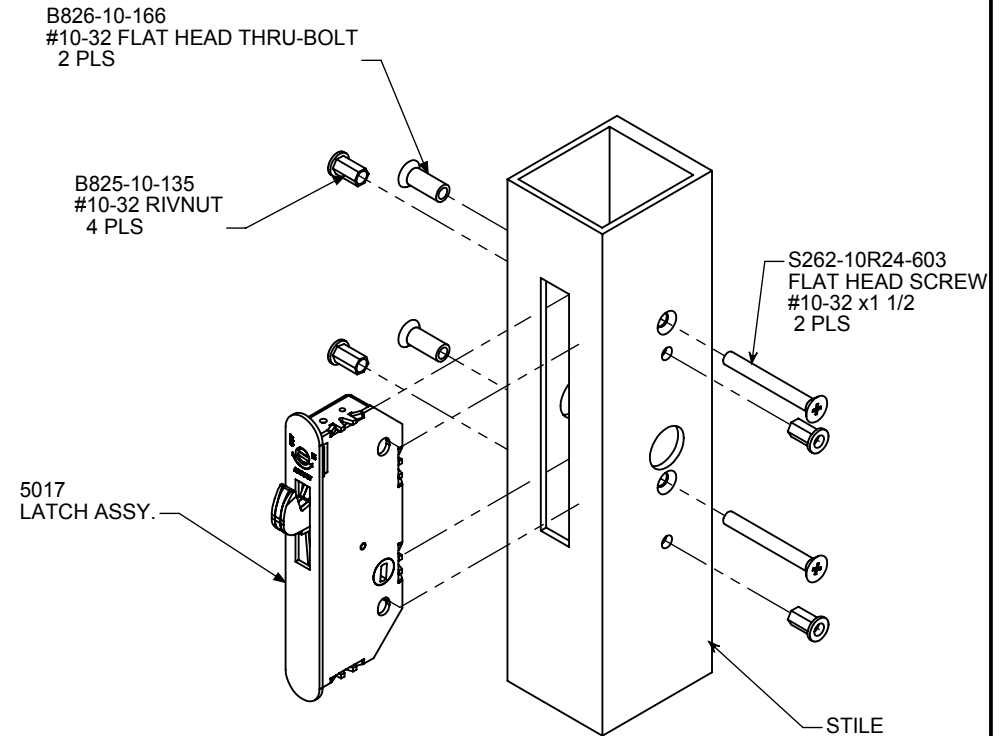


DOOR PREPARATION



LOCK INSTALLATION



NOTES:

THE FOLLOWING PREPARATION POSITIONS THE HANDLES
IN A DOWNWARD ORIENTATION.
IF DESIRED THE ENTIRE PREPARATION CAN BE INVERTED TO
HAVE THE HANDLES POINTING UPWARD. STRIKE TEMPLATING
MUST ALSO BE INVERTED.

STEP 1

- * INSTALL RIVNUTS.
- * INSTALL LOCK AND SECURE WITH
THRU-BOLTS AND #10-32-1 1/2"
FLAT HEAD SCREWS.



www.adamsrite.com
Phone: 800-626-7590
800-872-3267

4570 HANDLES x
5017 DEADLOCK

PRODUCT MUST BE INSTALLED
ACCORDING TO ALL APPLICABLE
BUILDING AND LIFE SAFETY CODES

INSTALLATION INSTRUCTIONS

ASSA ABLOY

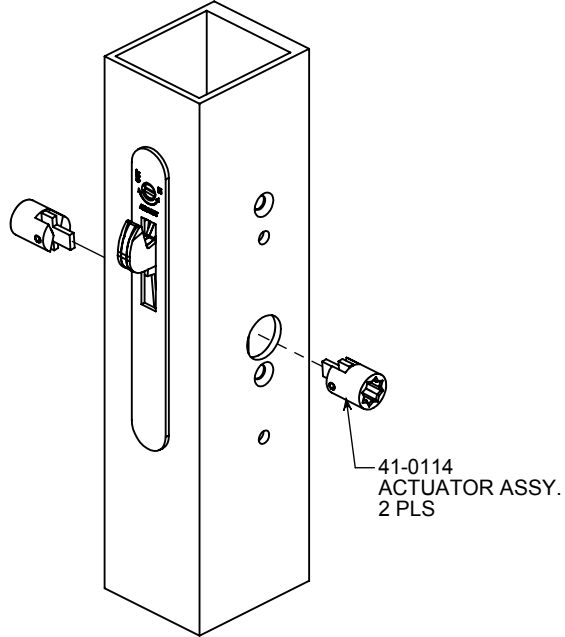
Fax: 866-582-4641
800-232-7329

80-0180-461 Rev. H CR 135-13

Page 1 of 2

Date: 3/28/13

ACTUATOR ASS'Y INSTALLATION



STEP 2

- INSTALL ACTUATOR ASSY. INTO THE HUB OF THE LOCK.
- ROTATE THE ACTUATOR ASSY. AS SHOWN IN FIGURE 4.

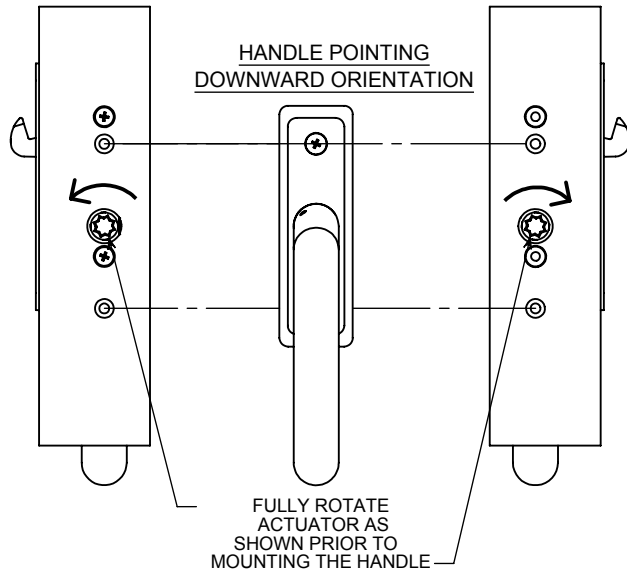
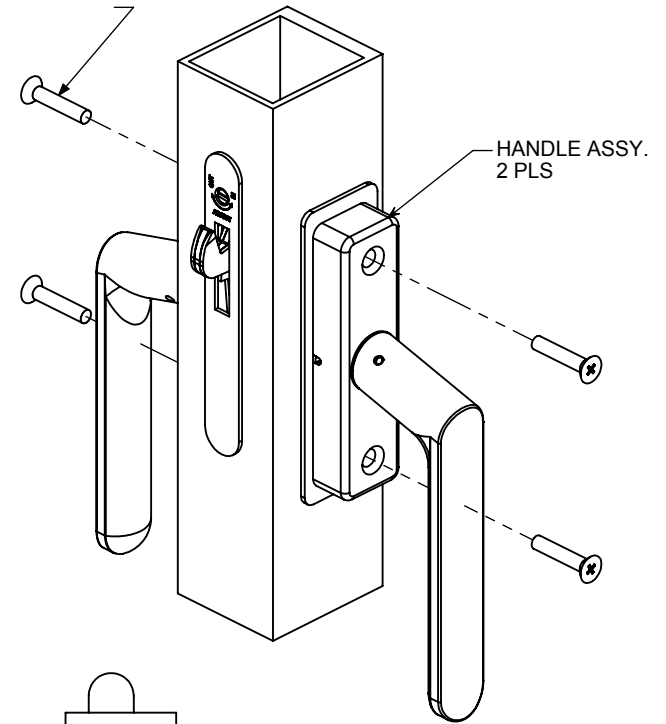


FIGURE 4

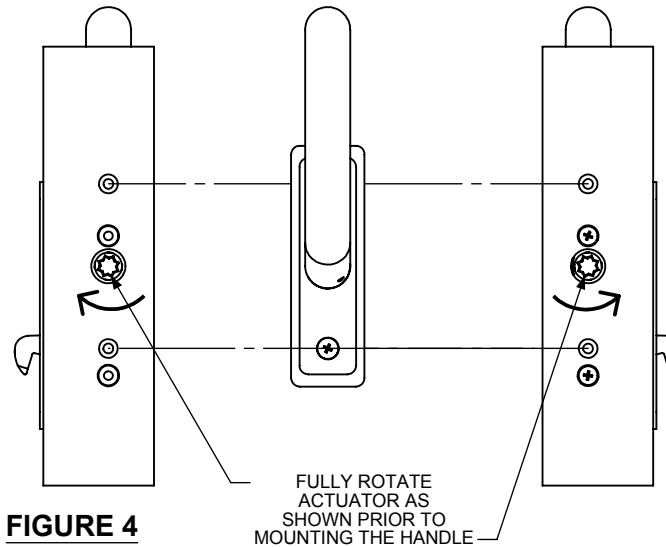
HANDLE INSTALLATION

S262-10R16N-603
FLAT HEAD SCREW
#10-32x1"
4 PLS



STEP 3

- INSTALL HANDLES AND SECURE USING (4) #10-32 x 1" FLAT HEAD SCREWS.



www.adamsrite.com
Phone: 800-626-7590
800-872-3267

Fax: 866-582-4641
800-232-7329

4570 HANDLES x
5017 DEADLOCK

80-0180-461 Rev. H CR 135-13

PRODUCT MUST BE INSTALLED
ACCORDING TO ALL APPLICABLE
BUILDING AND LIFE SAFETY CODES

INSTALLATION INSTRUCTIONS