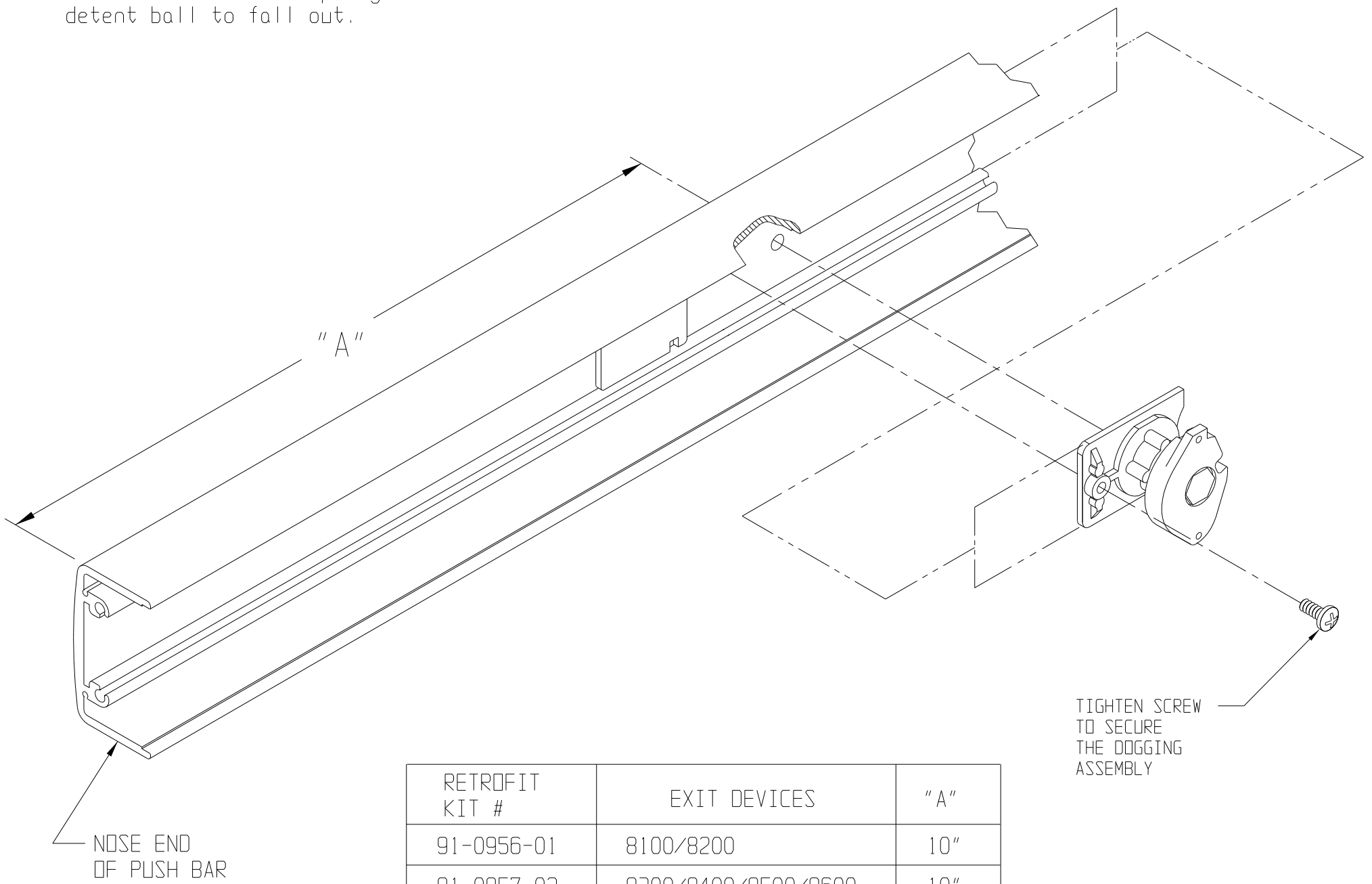


# 8000 SERIES EXIT DEVICE DOGGING RETROFIT KIT ASSEMBLY INSTRUCTION

## WARNING

Care should be taken when installing the new dogging assembly. Do not collapse the main dogging mechanism! This will cause the spring detent ball to fall out.



RETROFIT KIT #	EXIT DEVICES	"A"
91-0956-01	8100/8200	10"
91-0957-02	8300/8400/8500/8600	10"
91-0958-03	8700/8800	10"
91-0958-04	8700EL/8800EL	16"

PRODUCT MUST BE INSTALLED  
ACCORDING TO ALL APPLICABLE  
BUILDING AND LIFE SAFETY CODES



www.adamsrite.com  
Phone: 800-626-7590  
800-872-3267  
Fax: 866-582-4641  
800-232-7329

80-0180-856

INSTALLATION INSTRUCTIONS

Rev. G

Ecn 119550

Date: 07/20/12

Appvd: MP