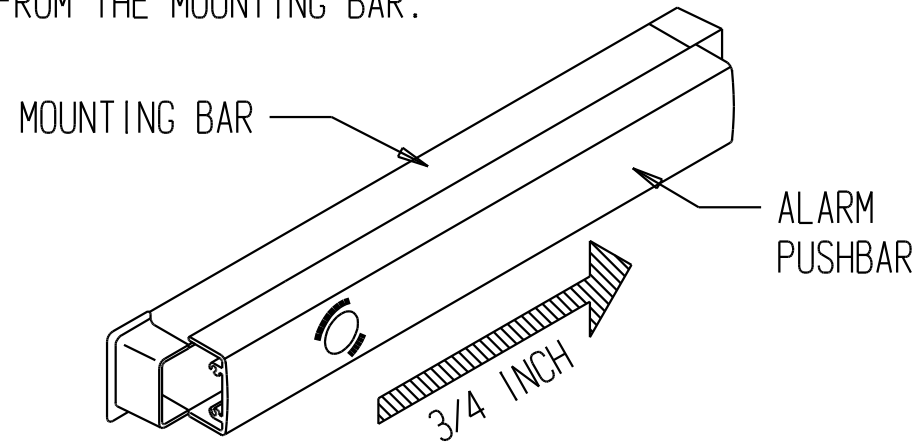


INSTALLATION

REMOVE ALARM PUSHBAR

1. CAREFULLY REMOVE THE PUSHBAR UNIT FROM THE PACKAGE.
2. SLIDE THE PUSHBAR IN THE DIRECTION SHOWN ABOUT 3/4 INCH. THEN THE ALARM PUSHBAR WILL SEPARATE FROM THE MOUNTING BAR.



INSTALL MOUNTING BAR

1. INSTALL THE MOUNTING BAR AND THE REMAINING MECHANISMS FOLLOWING THE SEPARATE INSTRUCTION SHEET. THE ALARM PUSHBAR CAN BE REINSTALLED AT THE LAST STAGE.

INSERT BATTERIES (SEE FIG. 1 ON OPPOSITE PAGE)

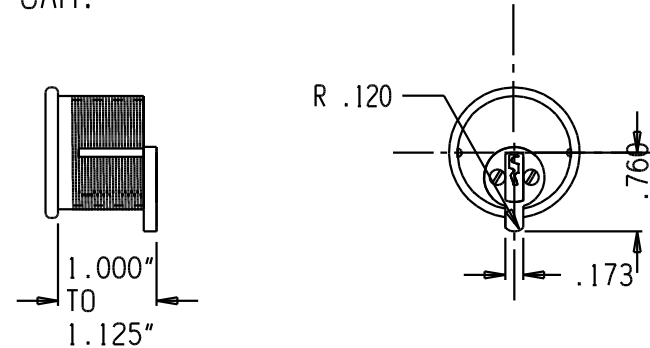
1. LOOSEN #2 SCREW NEAR BATTERY CASE ENOUGH TO SLIDE THE BATTERY CLIP OUT.
2. INSERT FOUR AA RECHARGEABLE NICAD BATTERIES IN THE BATTERY CASE.
3. SLIDE THE BATTERY CLIP IN AND TIGHTEN THE SCREW TO PREVENT THE CLIP FROM VIBRATING OUT.
4. THE RECHARGEABLE BATTERIES CAN BE CHARGED WITH 12-24V AC OR DC. FOR DC, CONNECT WIRE 12 (RED) TO POSITIVE AND WIRE 11 (BRN) TO NEGATIVE POWER.

NOTE: WHEN THE BATTERY PACK VOLTAGE DROPS BELOW 4.5V, THREE BEEPS AT A TWO MINUTE INTERVAL WILL SOUND TO INDICATE THE NEED TO CHANGE BATTERIES.

MORTISE CYLINDER

(SEE FIG. 1 ON OPPOSITE PAGE)

1. INSERT THE MORTISE CYLINDER AND TIGHTEN THE LOCKING NUT USING THE TOOL PROVIDED AS SHOWN IN FIG. 1. THE UNIT WILL ACCEPT FROM 1 INCH TO 1 1/8 INCH LONG MORTISE CYLINDER WITH AN M.S.[®] CAM.



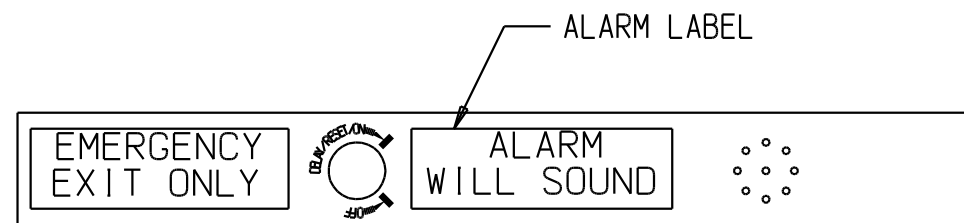
MOUNT ALARM PUSHBAR

(SEE FIG. 2 ON OPPOSITE PAGE)

1. ATTACH THE HINGE-SIDE END CAP WITH TWO SCREWS.
2. POSITION THE ALARM PUSHBAR DIRECTLY OVER THE SCISSOR PLATES ON THE MOUNTING BAR AS SHOWN AND SLIDE IT TOWARD THE NOSE-SIDE.
3. ATTACH THE NOSE-SIDE END CAP.

ALARM LABEL

1. ATTACH THE SELF-ADHESIVE ALARM LABEL ON THE PUSHBAR SURFACE.



BASIC OPERATION

TO ARM, TO RESET, AND TO DELAY ALARM 20 SEC.

- A. TURN THE KEY CLOCKWISE TO THE STOP AND HOLD UNTIL TWO BEEPS SOUND, THEN REMOVE KEY. THE UNIT WILL ARM IN 20 SECONDS.
- B. WHEN THE PUSHBAR IS DEPRESSED IN THE ARMED STATE, THE ALARM WILL SOUND FOR 2 MINUTES AFTER WHICH THE UNIT WILL RESET AUTOMATICALLY.

IMMEDIATE ARMING OF THE UNIT

TURN THE KEY CLOCKWISE TO THE STOP AND HOLD FOR ABOUT 2 SECONDS UNTIL TWO BEEPS AND ONE LONGER TONE SOUND, THEN REMOVE KEY. THE UNIT WILL ARM IMMEDIATELY.

DISARMING THE UNIT

TURN THE KEY COUNTER-CLOCKWISE TO THE STOP AND HOLD UNTIL ONE BEEP SOUNDS, THEN REMOVE KEY.

OUTPUTS FOR ADDITIONAL FEATURES

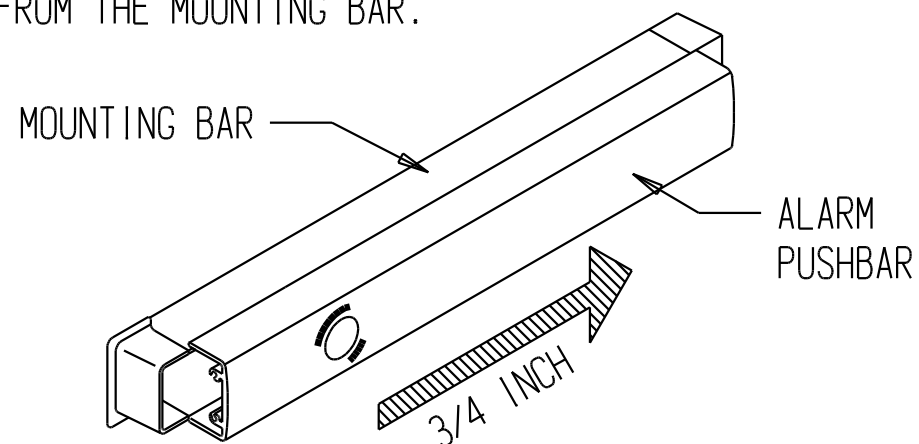
EXTERNAL HORN

FOR EXTERNALLY LOUDER AND/OR REMOTE NOISE, WIRES 5(GRN) AND 6(BLU) CAN BE CONNECTED TO AN 8 OHM POWER HORN OR SPEAKER WHICH HAS FROM 8 TO 10 WATTS CAPACITY.

INSTALLATION

REMOVE ALARM PUSHBAR

- CAREFULLY REMOVE THE PUSHBAR UNIT FROM THE PACKAGE.
- SLIDE THE PUSHBAR IN THE DIRECTION SHOWN ABOUT 3/4 INCH. THEN THE ALARM PUSHBAR WILL SEPARATE FROM THE MOUNTING BAR.



INSTALL MOUNTING BAR

- INSTALL THE MOUNTING BAR AND THE REMAINING MECHANISMS FOLLOWING THE SEPARATE INSTRUCTION SHEET. THE ALARM PUSHBAR CAN BE REINSTALLED AT THE LAST STAGE.

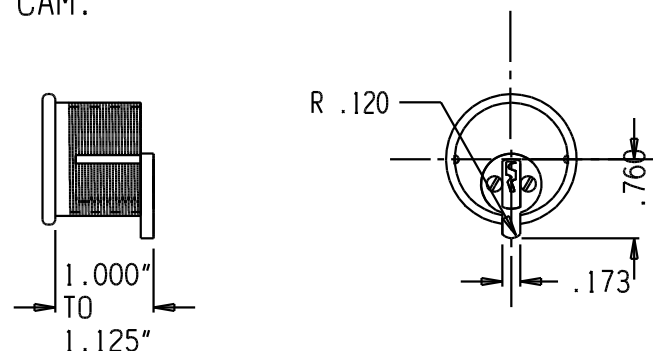
INSERT BATTERIES (SEE FIG. 1 ON OPPOSITE PAGE)

- LOOSEN #2 SCREW NEAR BATTERY CASE ENOUGH TO SLIDE THE BATTERY CLIP OUT.
- INSERT FOUR AA ALKALINE BATTERIES IN THE BATTERY CASE.
- SLIDE THE BATTERY CLIP IN AND TIGHTEN THE SCREW TO PREVENT THE CLIP FROM VIBRATING OUT.

NOTE: WHEN THE BATTERY PACK VOLTAGE DROPS BELOW 4.5V, THREE BEEPS AT A TWO MINUTE INTERVAL WILL SOUND TO INDICATE THE NEED TO CHANGE BATTERIES.

MORTISE CYLINDER (SEE FIG. 1 ON OPPOSITE PAGE)

- INSERT THE MORTISE CYLINDER AND TIGHTEN THE LOCKING NUT USING THE TOOL PROVIDED AS SHOWN IN FIG. 1. THE UNIT WILL ACCEPT FROM 1 INCH TO 1 1/8 INCH LONG MORTISE CYLINDER WITH AN M.S.[®] CAM.

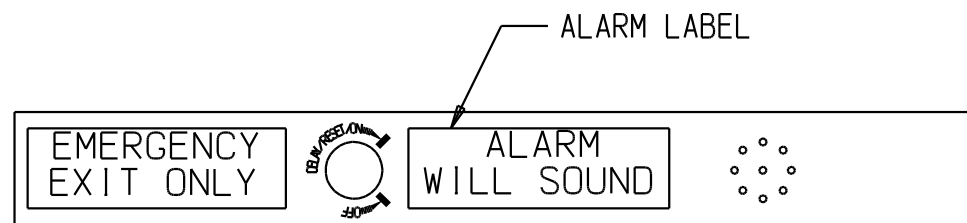


MOUNT ALARM PUSHBAR (SEE FIG. 2 ON OPPOSITE PAGE)

- ATTACH THE HINGE-SIDE END CAP WITH TWO SCREWS.
- POSITION THE ALARM PUSHBAR DIRECTLY OVER THE SCISSOR PLATES ON THE MOUNTING BAR AS SHOWN AND SLIDE IT TOWARD THE NOSE-SIDE.
- ATTACH THE NOSE-SIDE END CAP.

ALARM LABEL

- ATTACH THE SELF-ADHESIVE ALARM LABEL ON THE PUSHBAR SURFACE.



BASIC OPERATION

TO ARM, TO RESET, AND TO DELAY ALARM 20 SEC.

- TURN THE KEY CLOCKWISE TO THE STOP AND HOLD UNTIL TWO BEEPS SOUND, THEN REMOVE KEY. THE UNIT WILL ARM IN 20 SECONDS.
- WHEN THE PUSHBAR IS DEPRESSED IN THE ARMED STATE, THE ALARM WILL SOUND FOR 2 MINUTES AFTER WHICH THE UNIT WILL RESET AUTOMATICALLY.

IMMEDIATE ARMING OF THE UNIT

TURN THE KEY CLOCKWISE TO THE STOP AND HOLD FOR ABOUT 2 SECONDS UNTIL TWO BEEPS AND ONE LONGER TONE SOUND, THEN REMOVE KEY. THE UNIT WILL ARM IMMEDIATELY.

DISARMING THE UNIT

TURN THE KEY COUNTER-CLOCKWISE TO THE STOP AND HOLD UNTIL ONE BEEP SOUNDS, THEN REMOVE KEY.

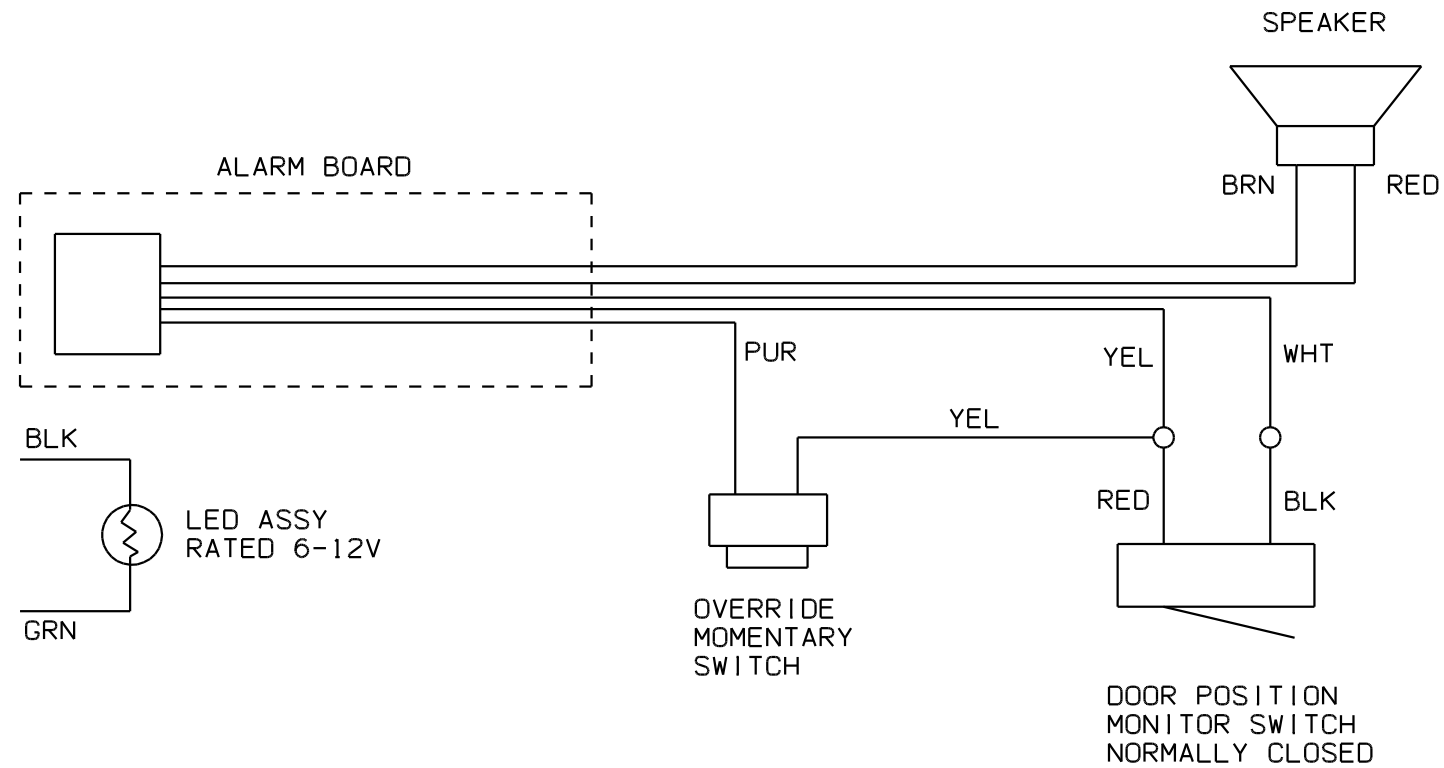
OUTPUTS FOR ADDITIONAL FEATURES

(AVAILABLE ONLY WITH UPGRADE VERSION & HARDWIRE VERSION)

EXTERNAL HORN

FOR EXTERNALLY LOUDER AND/OR REMOTE NOISE, WIRES 5(GRN) AND 6(BLU) CAN BE CONNECTED TO AN 8 OHM POWER HORN OR SPEAKER WHICH HAS FROM 8 TO 10 WATTS CAPACITY.

WIRE CHART
BROWN (1) + OF SPEAKER
RED (2) - OF SPEAKER
GREEN (5) + OF LED
PURPLE (7) MOMENTARY SWITCH
WHITE (9) BLK OF MONITOR SWITCH
BLACK (10) - OF LED
YELLOW (14) MOMENTARY SWITCH AND RED OF MONITOR SWITCH



DOOR POSITION MONITOR / ETERNAL DELAY / EXTERNAL LED MONITOR

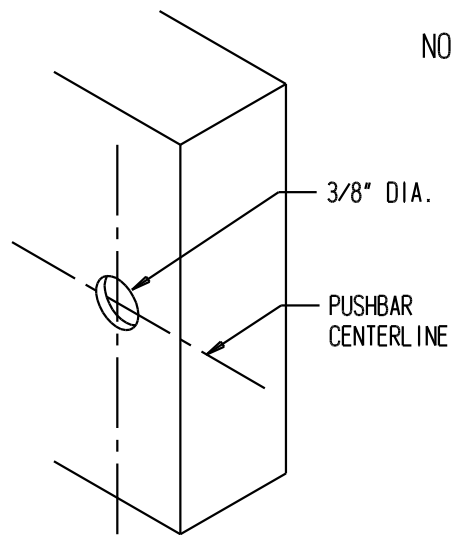
A NORMALLY CLOSED DOOR SWITCH (MECHANICAL OR MAGNETIC) CAN BE CONNECTED TO WIRES 9 (WHT) AND 14 (YEL) TO MONITOR THE DOOR POSITION. WIRES 14 (YEL) AND 7 (PUR) CAN BE CONNECTED TO A NORMALLY OPEN MOMENTARY SWITCH THAT, WHEN CLOSED, WILL ACTIVATE A 20 SECONDS DELAY OF THE ALARM FROM SOUNDING, ALLOWING THE DOOR TO BE OPENED. WIRES 5 (GRN) AND 10 (BLK) CAN BE CONNECTED TO A REMOTE LED. THE LIGHT WILL TURN ON WHEN ALRM IS SOUNDING AND TURN OFF WHEN THE UNIT IS PRESET. A LED ASSEMBLY RATED 6-12 VOLTS OR A LOWER RATED LED IN SERIES WITH 470 OHM AND 1/2 W RESISTOR MUST BE USED.

EXTERNAL DELAY OPERATION

WHEN ALARM IS ACTIVATED, DOOR POSITION MONITOR SWITCH MUST BE CLOSED. WHEN DOOR IS CLOSED, THE ALARM WILL BE SOUND WHEN DOOR IS PRIED OPEN AND WILL CONTINUE UNTIL DOOR IS CLOSED AND OVERRIDE MOMENTARY SWITCH IS PRESSED OR BY KEY. WHEN DEACTIVATED BY KEY, ANOTHER TURN OF THE KEY OR OVVERRIDE MOMENTARY SWITCH WILL REACTIVATE ALARM.

IN ALL CASES, THE ALARM WILL CONTINUE TO SOUND FOR AT LEAST TWO MINUTES BEFORE RESETING. ALSO, WHEN THE DELAY IS ACTIVATED AND THE DOOR REMAINS OPEN, THE UNIT REMAINS DISARMED AND WILL NOT RESET UNTIL THE DOOR IS CLOSED.

PRODUCT MUST BE INSTALLED
ACCORDING TO ALL APPLICABLE
BUILDING AND LIFE SAFETY CODES



NOTE: ONE ADDITIONAL HOLE IS REQUIRED TO FEED THE WIRE THROUGH THE HINGE STILE AS SHOWN ON THE LEFT. ALSO, THE WIRES MUST BE PROTECTED FROM ABRASION WHERE THEY PASS THROUGH THE HOLE IN THE HINGE STILE. A RUBBER GROMMET IS SUFFICIENT.

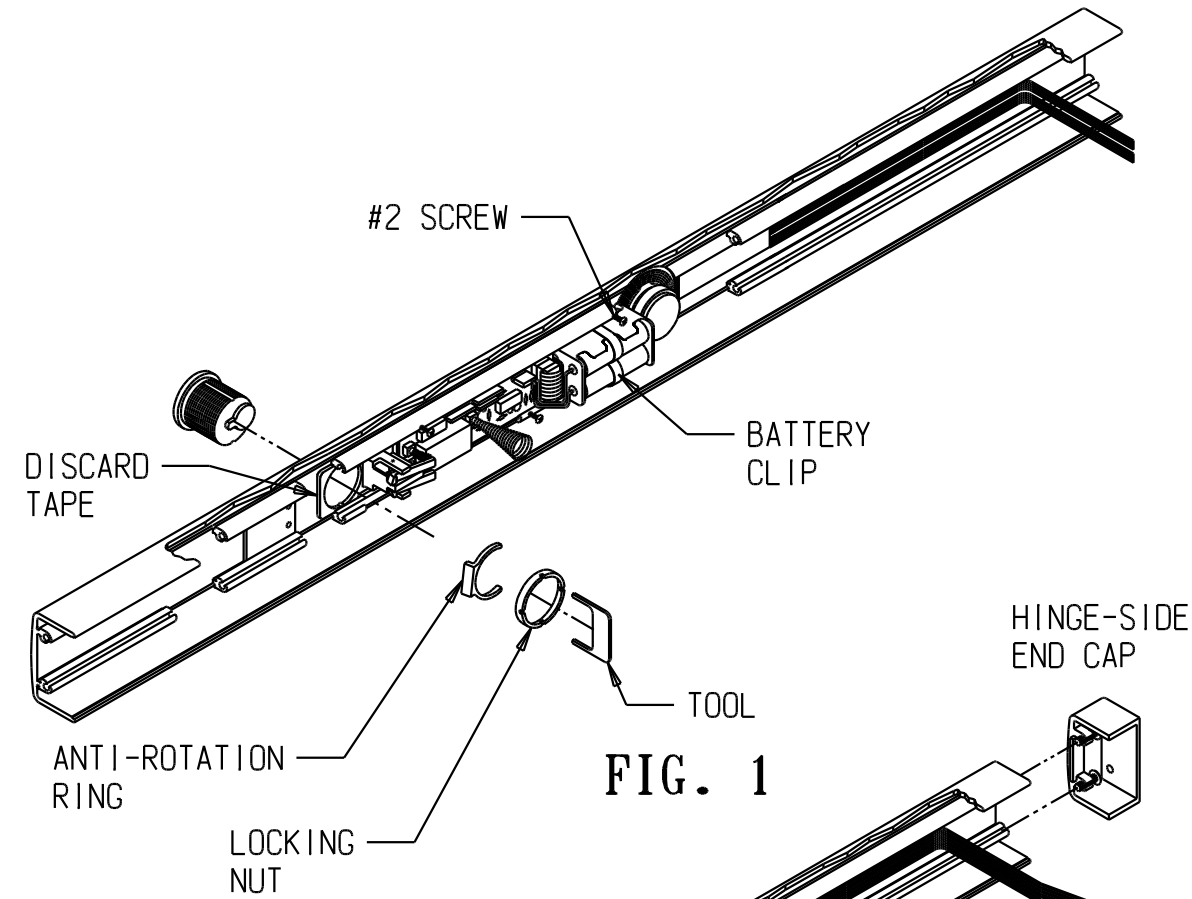


FIG. 1

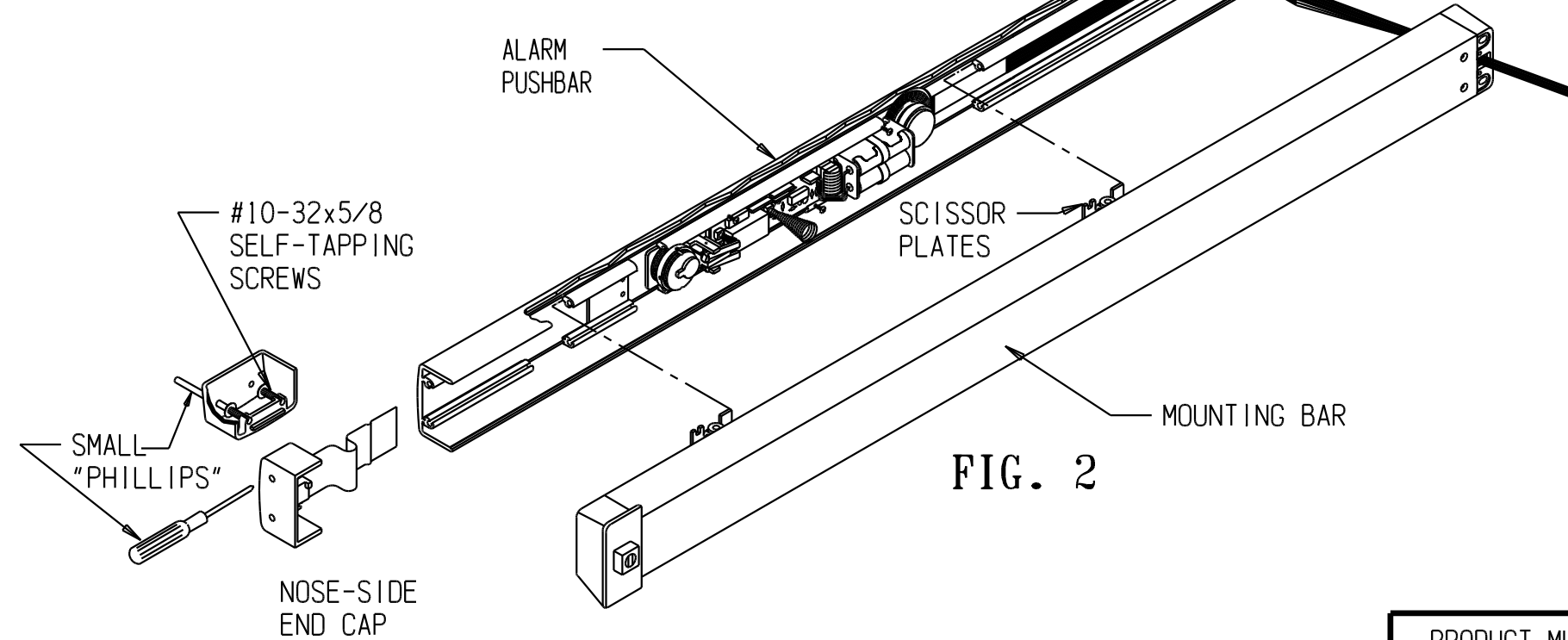


FIG. 2

PRODUCT MUST BE INSTALLED ACCORDING TO ALL APPLICABLE BUILDING AND LIFE SAFETY CODES