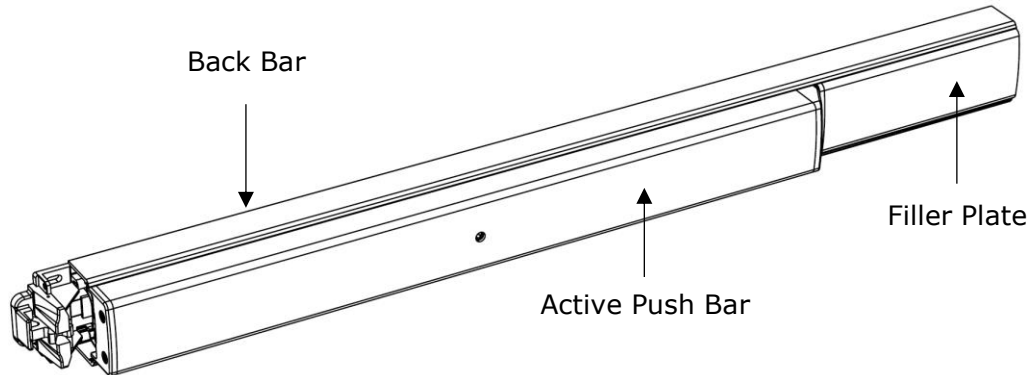


EX88 Interlocking Rim Exit Device

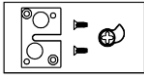
Preparation Guide and Installation Instructions

Box Contents

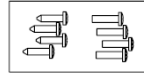
EX88 Interlocking Rim Exit Device



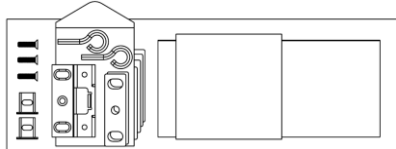
Cylinder and Trim Interface Kit



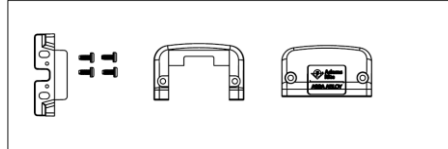
Mounting Hardware Kit



Frame Kit with Templates



Mounting End Cap Kit



Recommended Installation Tools

Safety glasses
 Power drill

Measuring tape
 Drill bits: 5/32", 3/4"

Level
 Center punch

Pencil
 Phillips screw driver

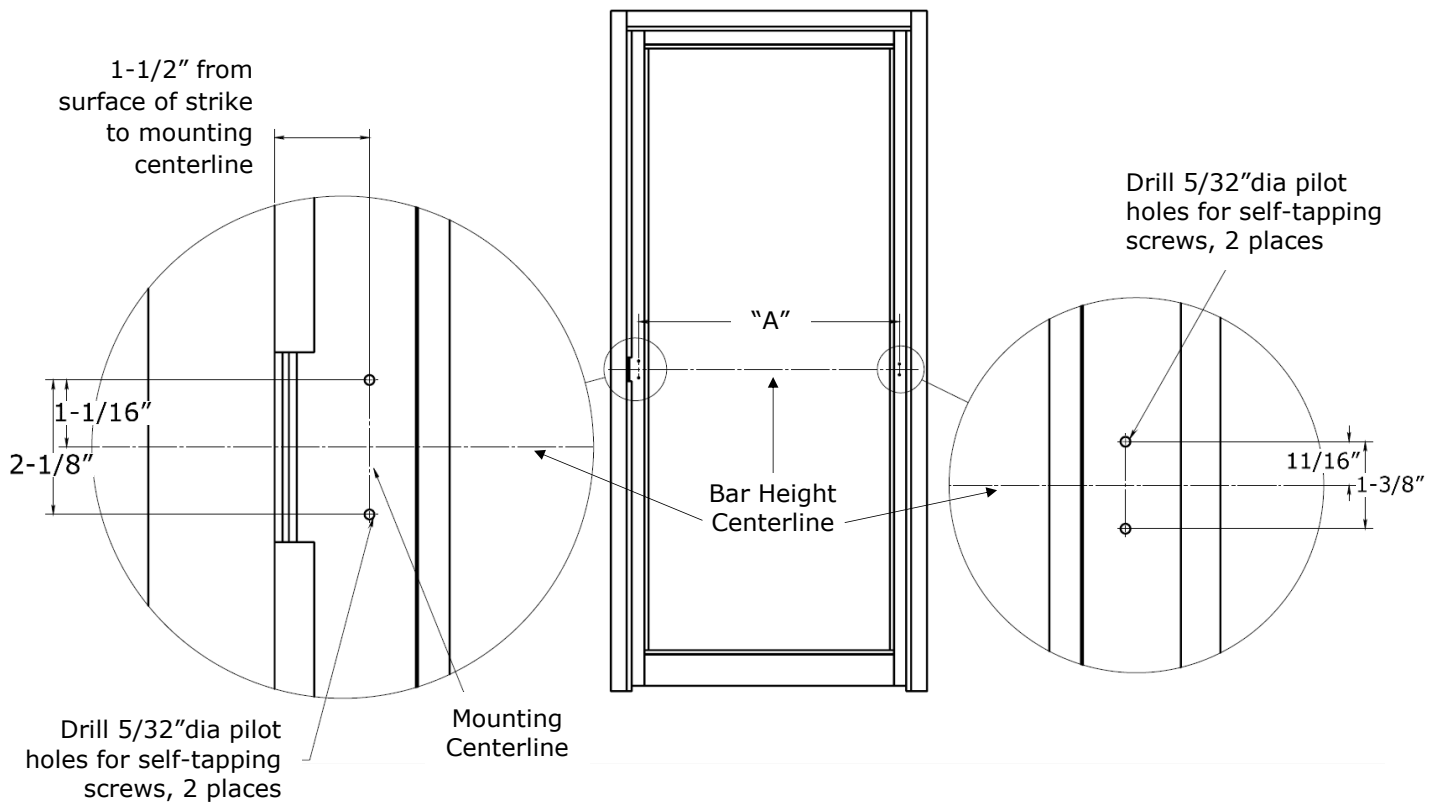
IMPORTANT NOTE 1: All work must be performed to applicable building, regulatory and life-safety codes. Please consult local Authority Having Jurisdiction (AHJ) for more information.

IMPORTANT NOTE 2: The Americans with Disabilities Act (ADA) guidelines specify door hardware be mounted 34"-48" above the finished floor.

Preparing the Inside of the Door (LHR Shown)

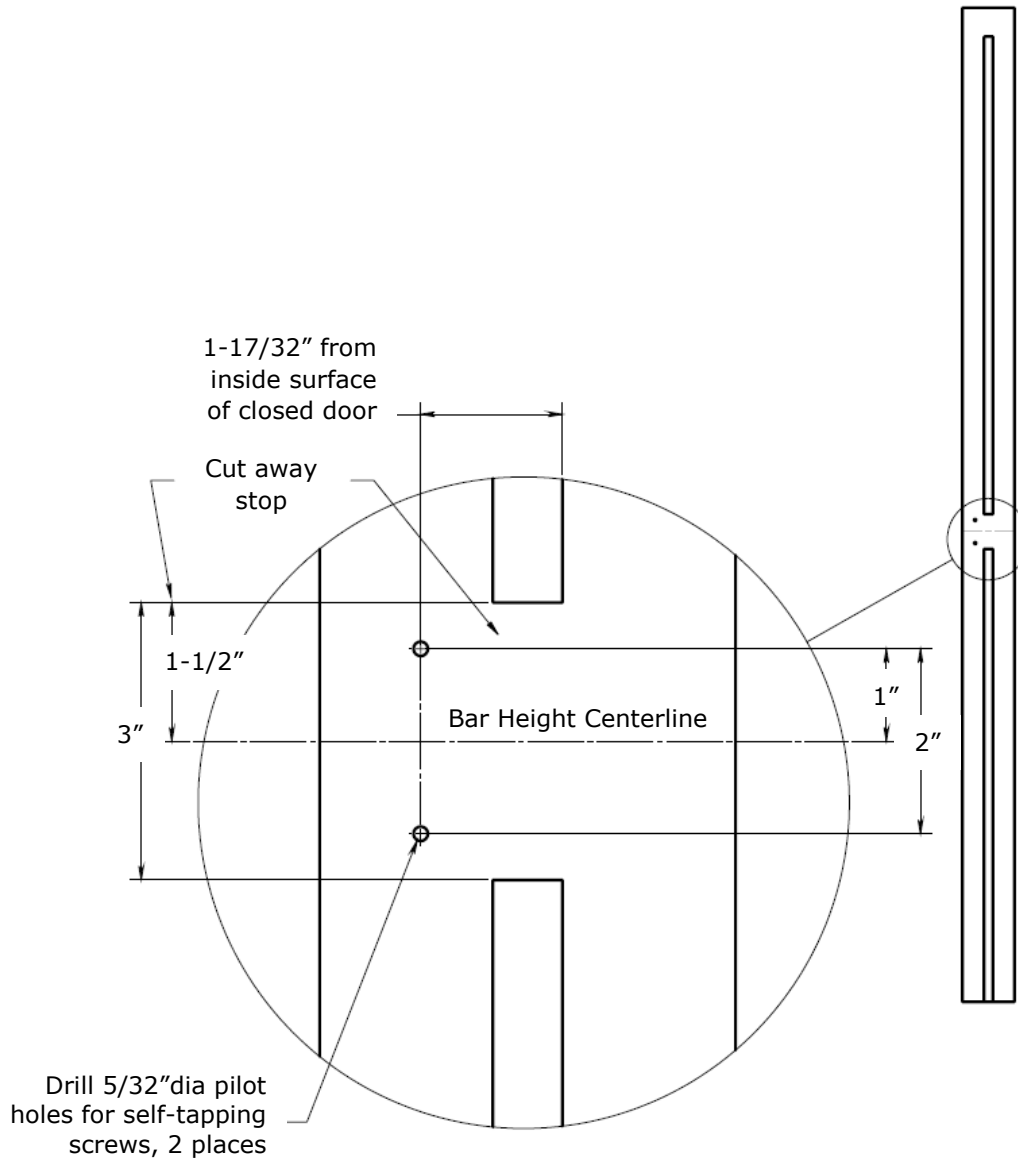
1. DETERMINE and MARK the applicable bar height centerline (horizontal line) of the exit device on the interior of the door.
2. DETERMINE the location of the latch end door template by using the bar height centerline of the exit device and aligning the template with the mounting centerline (vertical line) of the door.
3. AFFIX the latch end door template to the door.
4. DETERMINE and MARK the hinge side preparation using dimension "A" as shown in the chart below.
5. **IF** standard door widths, as shown in the chart below, are not being used, **THEN** CUT to proper length using *Sizing the Exit Device* chart on page 4.
6. MARK, CENTER PUNCH, DRILL all holes.
7. PREPARE door for cylinder and/or trim using *Preparing the Door for Cylinder or Trim* on page 5, if required.
8. REMOVE the templates.

Standard Door Widths and Mounting Hole Spacing			
Exit Device Length	Regular (R)	Midlength (M)	Long (L)
Standard Door Opening Width	36"	42"	48"
Dimension "A"	33"	39"	45"



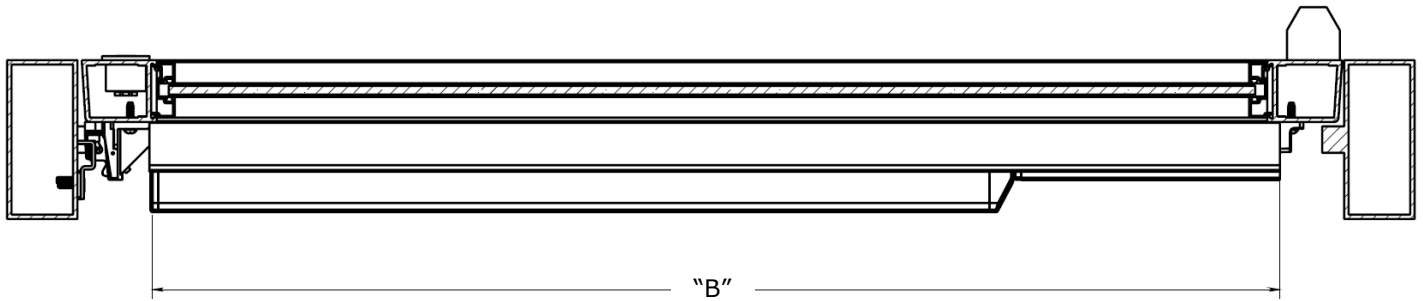
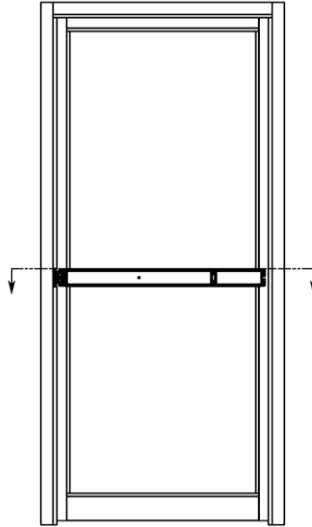
Prepping the Frame (LHR Shown)

1. DETERMINE and MARK the applicable bar height centerline (horizontal line) of the exit device on the frame for the strike plate.
2. DETERMINE the location of the strike plate template by using the bar height centerline of the exit device and aligning the template with the surface of the closed door.
3. MARK, CENTER PUNCH, DRILL all holes.
4. REMOVE the template.



Sizing the Exit Device

Standard Door Widths and Mounting Hole Spacing			
Exit Device Length	Regular (R)	Midlength (M)	Long (L)
Standard Door Width <i>No Cut Required</i>	36"	42"	48"
Minimum Door Width Exit Device Can Support	30"	30"	42"



NOTE: All EX Series Exit Devices are sized at the factory for 5/8" frame stop in narrow stile aluminum applications.

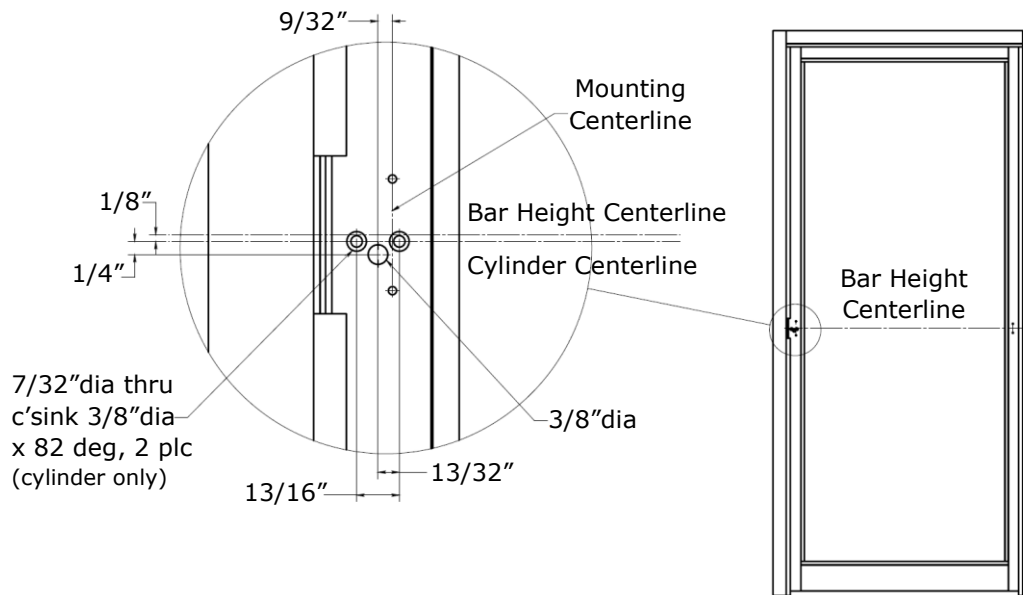
1. DETERMINE cut off dimension "B" Back Bar extrusion length by subtracting 3-7/8" from door opening width.
2. MARK cut off line "B" on Filler Plate and Back Bar.
3. REMOVE Filler Plate from Back Bar and CUT along lines on both pieces. REPLACE Filler Plate into Back Bar.

IMPORTANT NOTE: Do not cut Active Push Bar

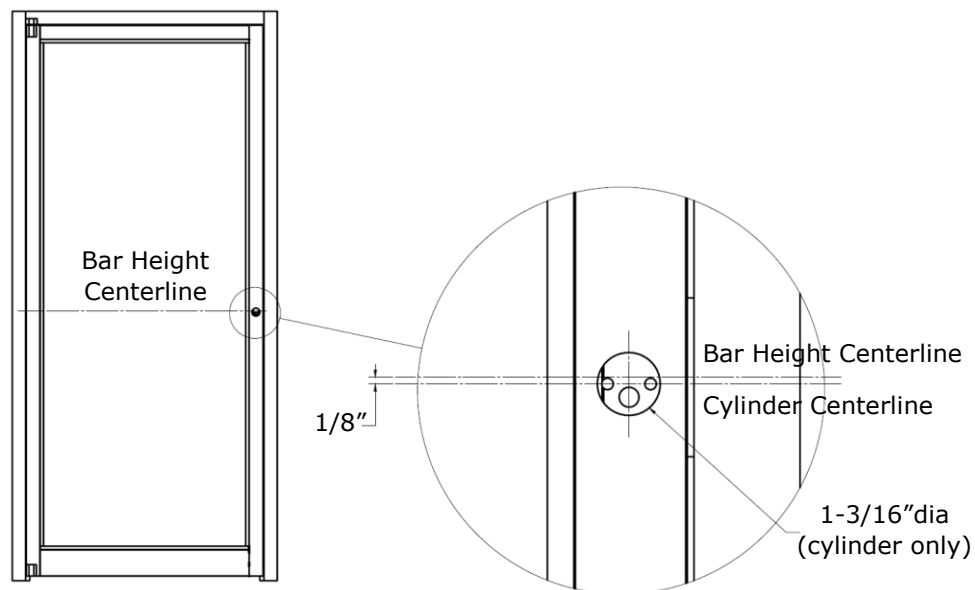
Preparing the Door for Cylinder or Trim

1. PREPARE the exterior and interior of the door for cylinder or trim using the latch end door template and exterior cylinder template, as required.
2. PREPARE the door for cylinder mounting or trim mounting according to manufacturer's instructions, as required.

Interior Preparation for Use with Trim and Cylinder



Exterior Preparation for Use with Cylinder

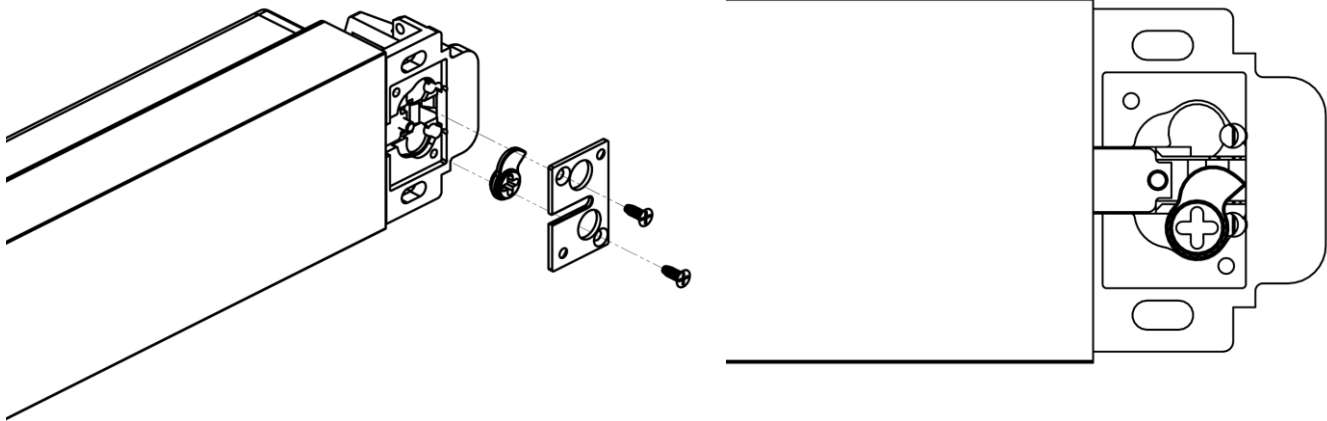


Handing the Exit Device for Installation with Cylinder or Trim

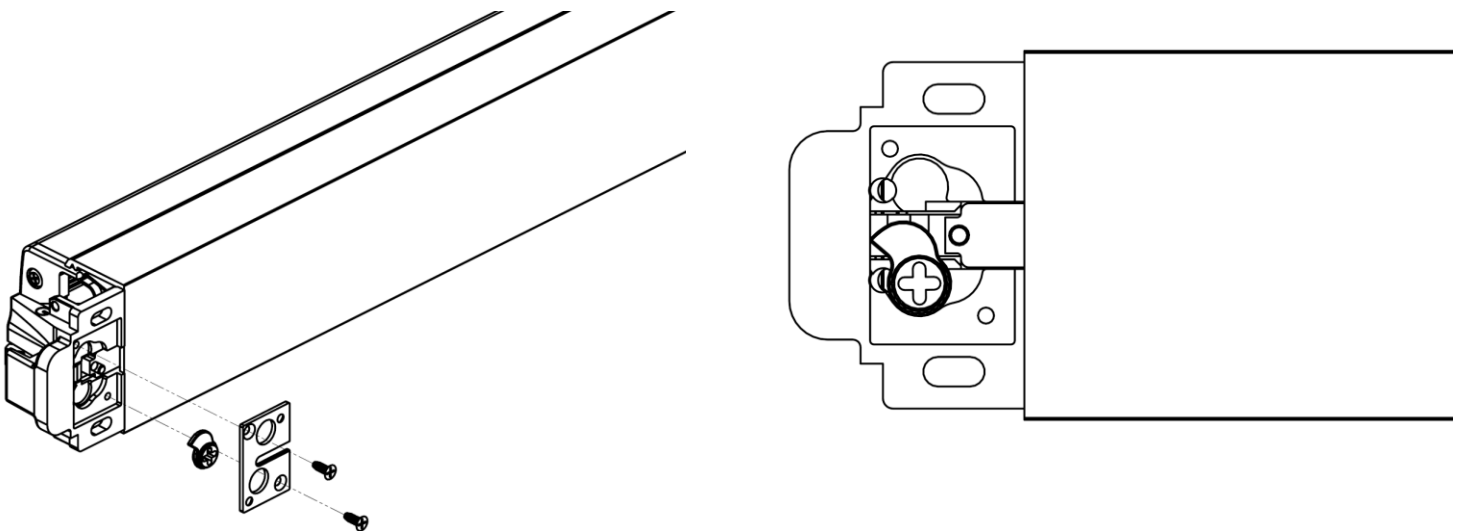
NOTE: The orientation of the trim plate differs for LHR and RHR applications. The Trim Actuator is ALWAYS located on the bottom of the Trim Plate.

IF installing cylinder or trim,
THEN DETERMINE the door handing and **INSTALL** accompanying Cylinder and Trim Interface Kit

Left Hand Reverse – LHR

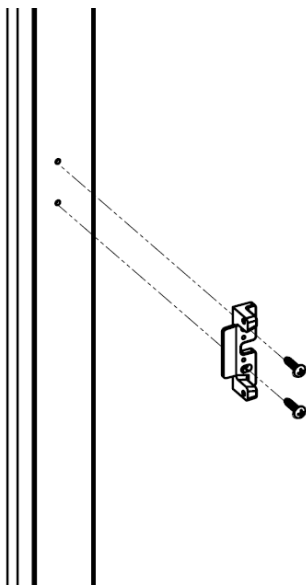


Right Hand Reverse – RHR

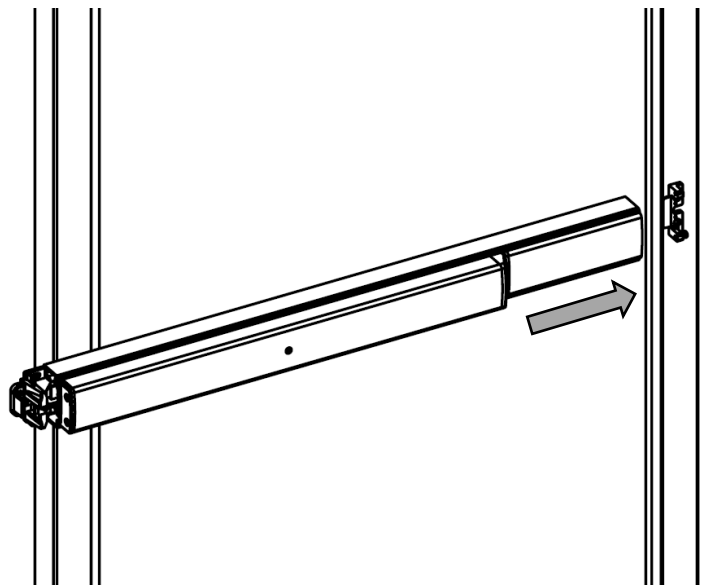


Installing the Exit Device

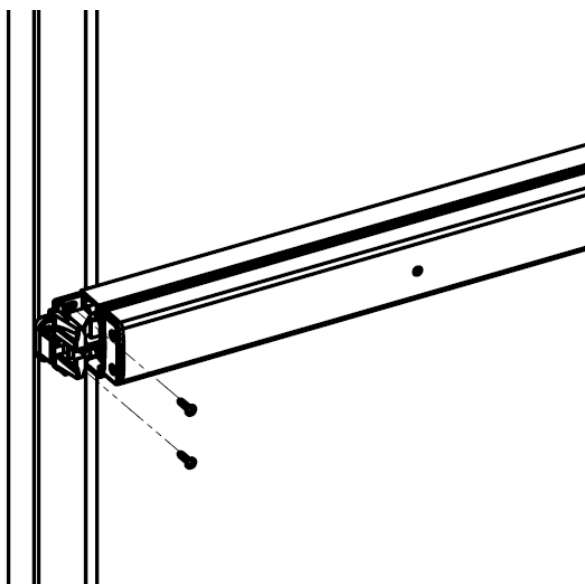
NOTE: Use provided self-tapping screws for aluminum or hollow metal applications.
Use provided wood screws for wood applications.



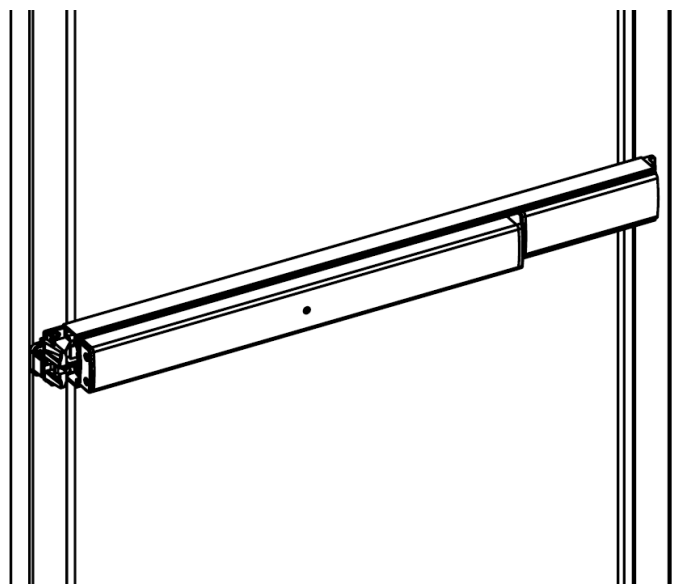
1. INSTALL Mounting Foot on hinge side of door using two (2) #10-32 x 3/4" pan head screws. Leave screws slightly loosened for final adjustment.



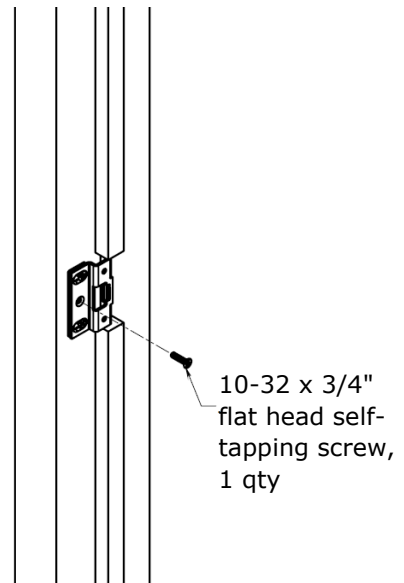
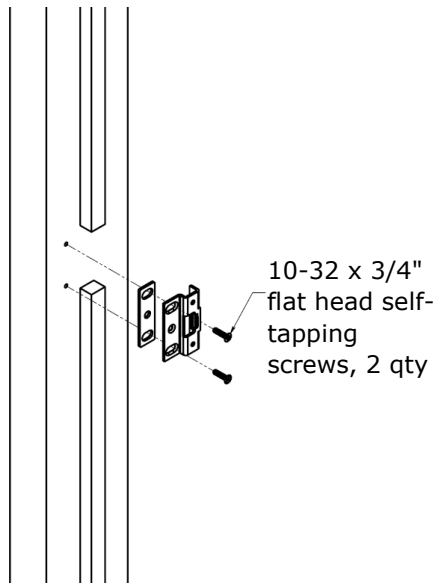
2. SLIDE the exit device onto the mounting foot



3. INSTALL Interlocking Mounting Base on latch side of door using two (2) #10-32 x 3/4" pan head screws. Leave screws slightly loosened for final adjustment.



Installing the Strike Plate

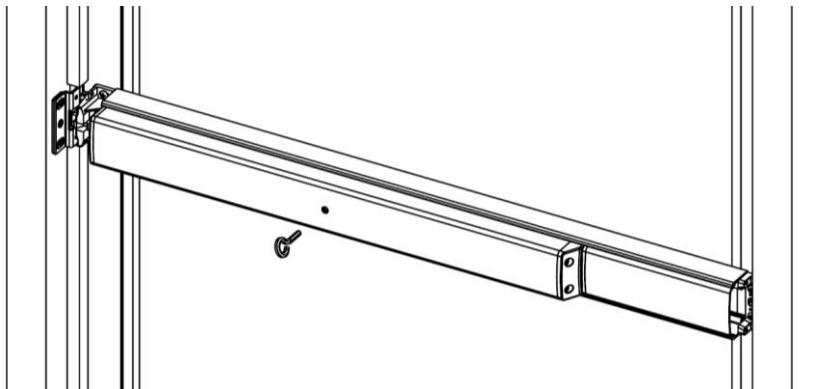


1. INSTALL the Strike Plates using two (2) #10-32 x 3/4" flat head screws.
2. VERIFY that exit device is fully operational.
3. ADJUST strike plate as necessary using shim plates provided.
4. MARK, CENTER PUNCH, DRILL 5/32" diameter pilot hole for center screw.
5. INSTALL the #10-32 x 3/4" flat head self-tapping center screw to maintain optimum adjustment.

Testing and Adjusting Exit Device Operation

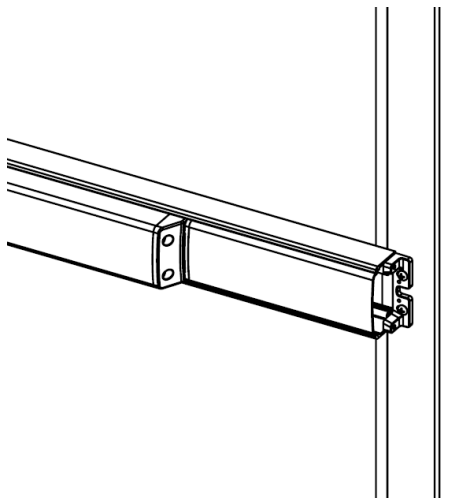
1. PERFORM a visual inspection to make certain exit device will be level and secure.
2. TEST the operation of the Active Push Bar and latching mechanism and ADJUST as necessary (door should open when the Active Push Bar is depressed and properly lock into strike plate when door is closed).

NOTE: The following is not applicable to fire-rated exit devices. Dogging the Active Push Bar disables the latching function, making the door a simple push/pull operation.

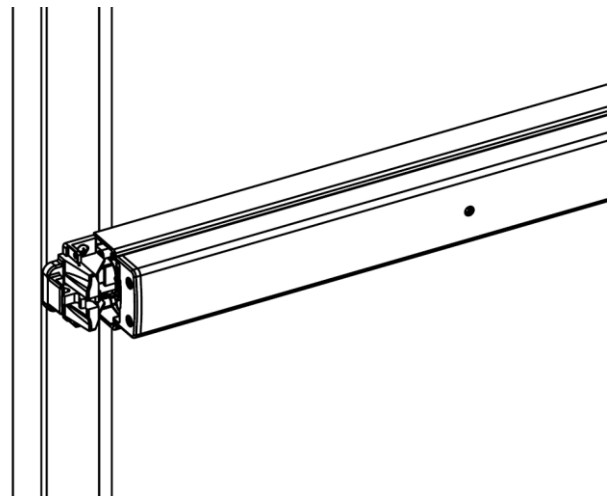


3. DEPRESS and HOLD active push bar in unlocked position.
4. INSERT and ROTATE hex key one-quarter turn clockwise to lock device (DOG) into position.
5. ROTATE hex key one-quarter turn counterclockwise to unlock device and release device into motion.
6. ENSURE exit device is operational and ADJUST as required.

NOTE: Over-rotation of the key past the prescribed one-quarter turn may cause damage to the exit device.

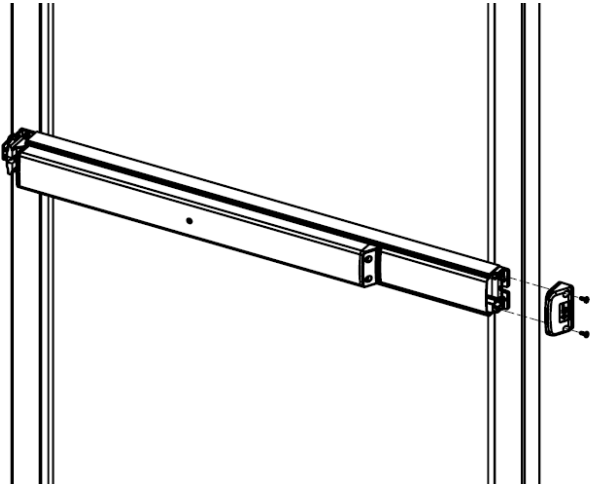


3. TIGHTEN two (2) #10-32 x 3/4" pan head mounting screws on the Mounting Foot on hinge side of door.

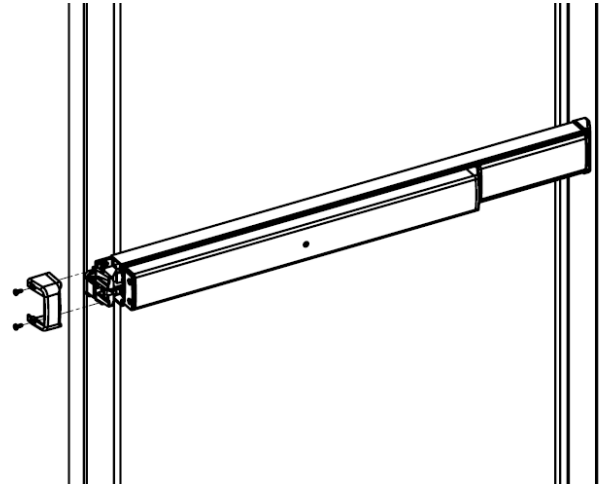


4. TIGHTEN two (2) #10-32 x 3/4" pan head mounting screws on the Interlocking Mounting Base on latch side of door.

Installing the Mounting End Caps



1. INSTALL Hinge End Mounting End Cap on hinge side of door using two (2) #8-32 x 3/8" tri lobe pan head screws.



2. INSTALL Latch End Mounting End Cap on latch side of door using two (2) #8-32 x 3/8" tri lobe pan head screws.

Maintenance

1. CHECK mounting fasteners periodically and TIGHTEN if loose.
2. APPLY screw locking compound or CHANGE part fasteners if screws continue to back out.
3. PERFORM periodic and required checks and adjustments of strikes to compensate for wear and tear such as door sagging.

Warranty

For complete warranty information, please visit the Adams Rite website:
<http://www.adamsrite.com/en/site/adamsritecom/about/warranty/>

Notes



ASSA ABLOY

adamsrite.com

800.872.3267

techsupport.adamsrite@assaabloy.com

80-0180-378 Rev 2

Copyright © 2017, Hanchett Entry Systems, Inc., an ASSA ABLOY Group company. All rights reserved.
Reproduction in whole or in part without the express written permission of Hanchett Entry Systems, Inc. is prohibited.