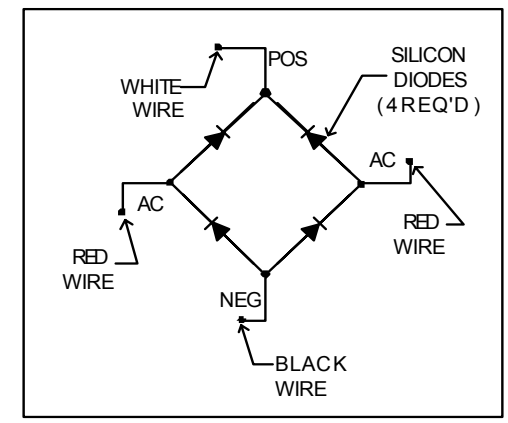


FOR ENGINEERING REFERENCE ONLY



QUALITY CONTROL TEST & CHECK INSTRUCTIONS:

- A) SET SIMPSON METER ON +DC & RX1.
- B) INSERT BLACK LEAD TO COMMON JACK AND READ LEAD TO + JACK.
- C) ATTACH RED WIRE FROM SIMPSON METER TO EITHER RED WIRE OF THE RECTIFIER.
- D) ATTACH BLACK WIRE FROM SIMPSON METER TO WHITE RECTIFIER WIRE. THERE SHOULD BE CONTINUITY & METER SHOULD SHOW READING.
- E) REMOVE BLACK WIRE FROM SIMPSON METER AT THE WHITE RECTIFIER WIRE & ATTACH TO THE BLACK WIRE FROM RECTIFIER. THERE MUST BE NO READING.

REV	DESCRIPTION	ECN	DATE	REV. BY	APVD
H	CHANGE OVERALL DIM'S & WIRING	8792	02-17-94	--	MP
J	CHANGE TO NEW 2 AMP RECTIFIER	9042	03-22-95	--	MP
K	ADDED SHRINK TUBING, DELETED: NOTE 5, NOTE 7 WAS #18 AHG WIRE, P/N 4603 WAS 29-0377	9995	01-27-00	--	MP
L	REDRAWN IN SWORKS; ADDED NOTE #10	10730		RR	

10. THE PART MUST BE PACKAGED IN A CLEAR PLASTIC BAG WITH INSTRUCTION SHEET P/N 80-0180-293. INSTRUCTION SHEET MUST BE FOLDED 3 TIMES. **(L)**

9. PURCHASED FROM DIODES, INC. UNDER P/N BR82DLB OR ENGINEERING APPROVED EQUIVALENT.

8. FULL WAVE BRIDGE RECTIFIER 2 AMP 200 PIV MIN.

7. #18 AWG WIRE, FOR -20°C TO 80°C TEMP. AND Ø.085 MAX O.D.

6. UNIT MUST BE CONSTRUCTED FROM UL LISTED COMPONENTS; LETTER OF CERTIFICATION MUST ACCOMPANY EACH SHIPMENT.

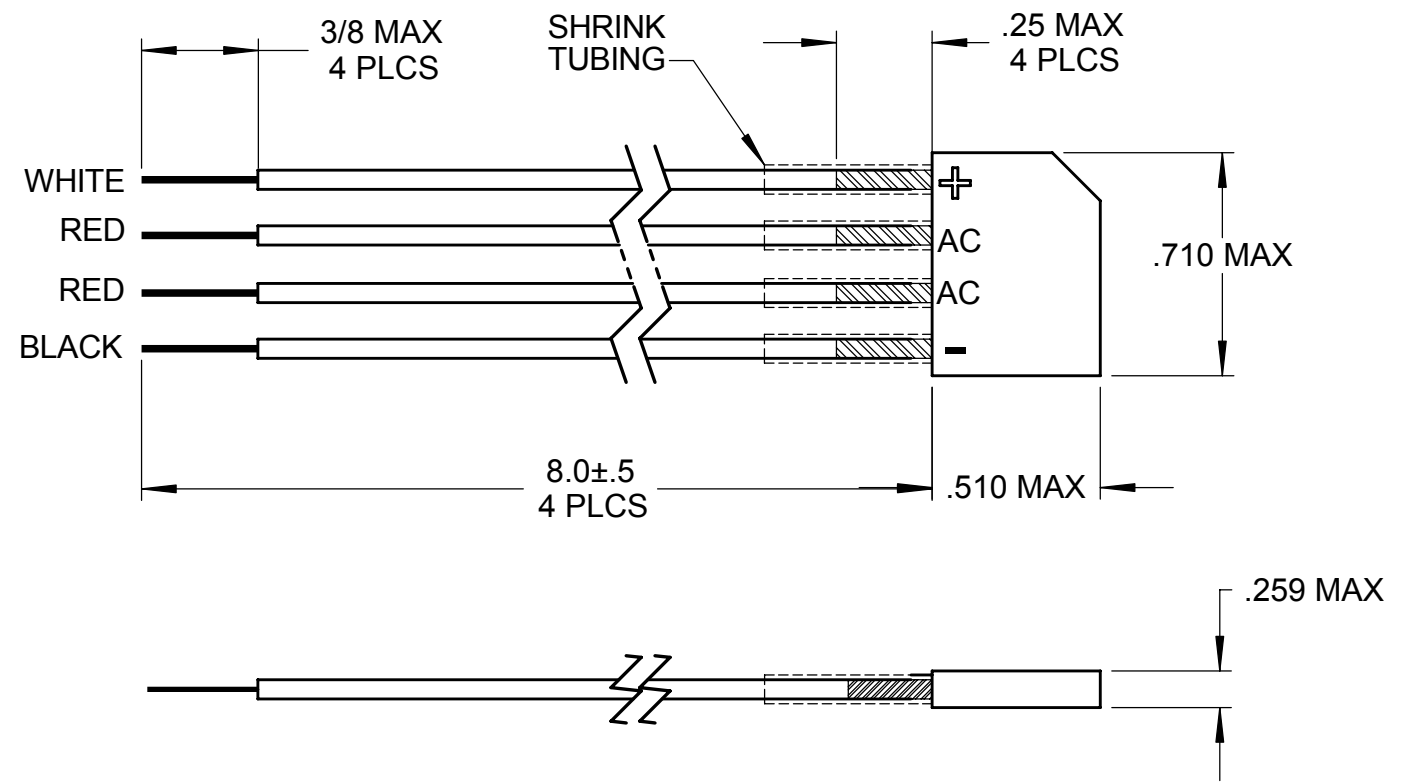
4. FINISH:

3. MATERIAL:

2. BREAK ALL SHARP EDGES.

1. ALL DIMENSIONS ARE FINISHED DIMENSIONS.

NOTES: UNLESS OTHERWISE SPECIFIED.



TOLERANCE UNLESS OTHERWISE SPECIFIED			UNIT	ENGLISH	METRIC
FRACTIONS	ENGLISH	METRIC			
.X	± 1/32	---			
.XX	± .01	± .12			
.XXX	± .005	---			
ANGLES	± 1	± 1			
---	4603	∠ ⊥	.010 TIR	.25 TIR	
NEXT ASSY	PRODUCT	≡ // ⊙ ○	.005 TIR	.12 TIR	
APPLICATION					

THIS DRAWING REMAINS THE PROPERTY OF ADAMS RITE MFG. CO. IT MUST BE KEPT CONFIDENTIAL AND EMPLOYED ONLY FOR THE PURPOSE FOR WHICH IT WAS ISSUED. UNAUTHORIZED USE, REPRODUCTION, DISCLOSURE OR RETENTION IS EXPRESSLY PROHIBITED. ALL PROPRIETARY AND MANUFACTURING RIGHTS RESERVED.		ADAMS RITE MANUFACTURING CO. 260 Santa Fe Street, Pomona, CA 91767 Phone: 909-632-2300 Fax: 909-632-2375	
DESIGN HISTORY	DATE	RECTIFIER	
INITIAL DRAWN BY			
R. RACHO	01/11/2005	SIZE	DWG. NO.
PROJECT ENGINEER	01-27-00	B	4603
M. PANOSSIAN		SCALE	1:2
		DO NOT SCALE DRAWING	SHEET 1 OF 1