

LEGEND

- RED=RED
- BLU=BLUE
- BLK=BLACK
- ORG=ORANGE
- WHT=WHITE
- BRN=BROWN
- GRN=GREEN
- YELL=YELLOW
- VLT=VIOLET
- = CONNECTION
- ⤵ = "NEG. VDC" 0VOLTS DC COMMON NEG.

SAFETY NOTICE: Typically all electronic locking systems should release automatically upon activation of a fire alarm system. Never connect any devices or locks to doors without first consulting with your Local Approving Authority

NOTE: 1) Product voltage is not specified on wire diagram, but must be specified when ordering product. (12 or 24 VDC)

2) If you have any questions, please feel free to call us at (800) 872-3267 for technical support.

LAMP OPERATION : All SECURITRON system key switches and push buttons are normally wired as follows:

GREEN = Power to lock.

RED = No power to lock.

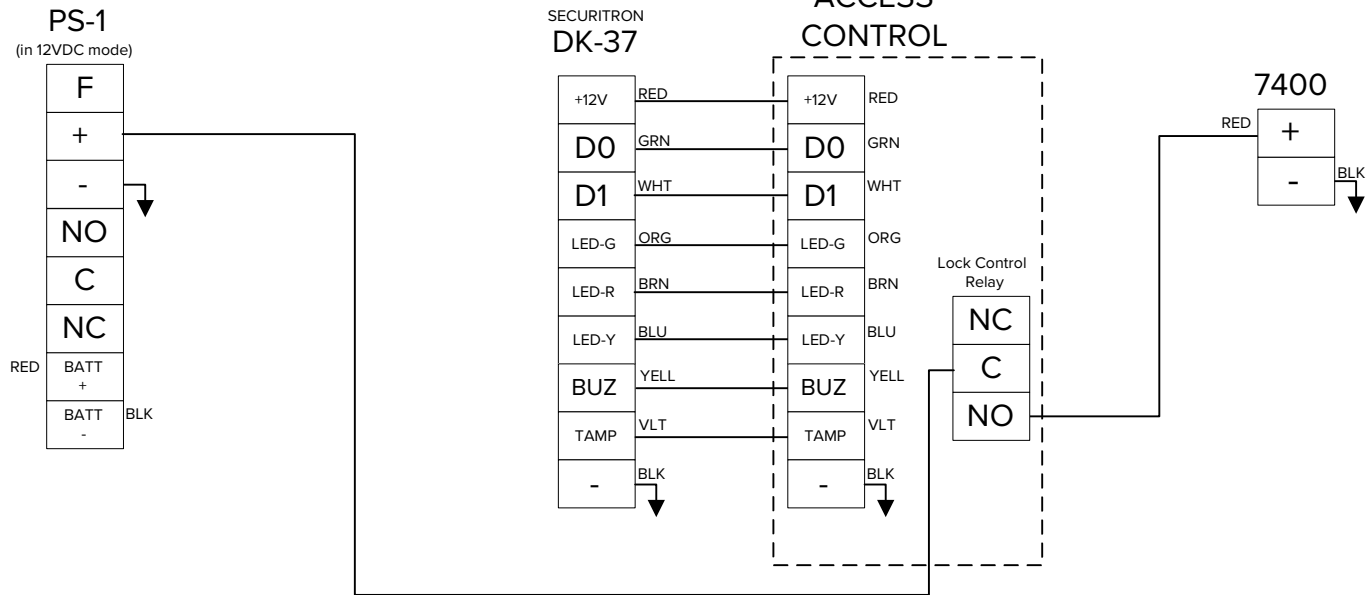
ADDITIONAL COMMENTS: INTERCONNECTED DEADBOLT/DEADLATCH WITH ELECTRIFIED TRIM



10027 S. 51st. Suite 102
Phoenix, AZ 85044
Phone (800) 872-3267
Fax (800) 232-7329

E-mail:
techsupport.adamsrite@assaabloy.com

| | | | | |
|-----------|--------|--------------|-------------|-----------|
| Revision: | 1 | Drawn By: | BRITTANI J. | Drawing # |
| Date: | 4/4/19 | Approved By: | | SB-4419-1 |



LEGEND

- RED=RED
- BLU=BLUE
- BLK=BLACK
- ORG=ORANGE
- WHT=WHITE
- BRN=BROWN
- GRN=GREEN
- YELL=YELLOW
- VLT=VIOLET
- = CONNECTION
- ⌋ = "NEG. VDC"
- ▼ 0VOLTS DC
- ◀ COMMON NEG.

SAFETY NOTICE: Typically all electronic locking systems should release automatically upon activation of a fire alarm system. Never connect any devices or locks to doors without first consulting with your Local Approving Authority

NOTE: 1) Product voltage is not specified on wire diagram, but must be specified when ordering product. (12 or 24 VDC)

2) If you have any questions, please feel free to call us at (800) 872-3267 for technical support.

LAMP OPERATION : All SECURITRON system key switches and push buttons are normally wired as follows:

GREEN = Power to lock.

RED = No power to lock.

ADDITIONAL COMMENTS: PRELOAD CAPABLE ELECTRIC STRIKE



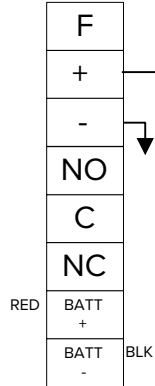
ASSA ABLOY

10027 S. 51st St., Suite 102
 Phoenix, AZ 85044
 Phone (800) 872-3267
 Fax (800) 232-7329

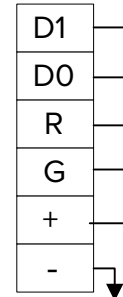
E-mail:
 techsupport.adamsrite@assaabloy.com

| | | | | | |
|-----------|--------|--------------|-------------|-----------|----------|
| Revision: | 1 | Drawn By: | BRITTANI J. | Drawing # | SB-4419- |
| Date: | 4/4/19 | Approved By: | | | 2 |

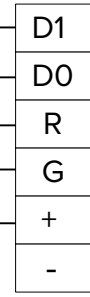
PS-1
(in 24VDC mode)



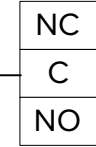
SECURITRON
R100 HUB



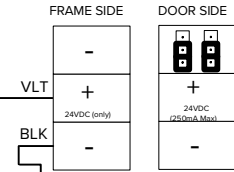
ACCESS
CONTROL



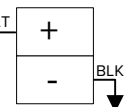
Lock Control
Relay



SECURITRON
ICPT
24VDC OUTPUT



4300



Note: Max Gap
3/16"

LEGEND

- RED=RED
- BLU=BLUE
- BLK=BLACK
- ORG=ORANGE
- WHT=WHITE
- BRN=BROWN
- GRN=GREEN
- YELL=YELLOW
- VLT=VIOLET
- = CONNECTION
- ⤵ = "NEG. VDC"
- ⤵ = 0VOLTS DC
- ⤵ = COMMON NEG.

SAFETY NOTICE: Typically all electronic locking systems should release automatically upon activation of a fire alarm system. Never connect any devices or locks to doors without first consulting with your Local Approving Authority

NOTE: 1) Product voltage is not specified on wire diagram, but must be specified when ordering product. (12 or 24 VDC)

2) If you have any questions, please feel free to call us at (800) 872-3267 for technical support.

LAMP OPERATION : All SECURITRON system key switches and push buttons are normally wired as follows:

GREEN = Power to lock.

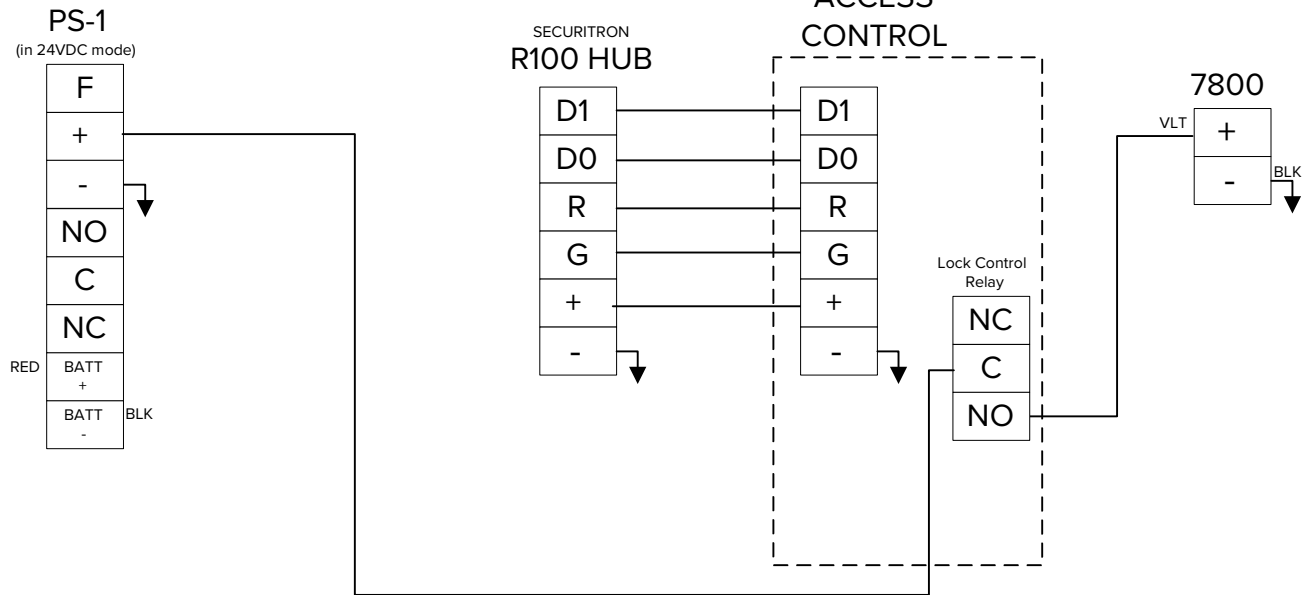
RED = No power to lock.

ADDITIONAL COMMENTS: ELECTRIFIED DEADLATCH WITH WIRELESS CARD READER



10027 S. 51st St., Suite 102
Phoenix, AZ 85044
Phone (800) 872-3267
Fax (800) 232-7329
E-mail:
techsupport.adamsrite@assaabloy.com

| | | |
|--------------|-----------------------|---------------------|
| Revision: 1 | Drawn By: BRITTANI J. | Drawing # SB-4419-3 |
| Date: 4/4/19 | Approved By: | |



LEGEND

- RED=RED
- BLU=BLUE
- BLK=BLACK
- ORG=ORANGE
- WHT=WHITE
- BRN=BROWN
- GRN=GREEN
- YELL=YELLOW
- VLT=VIOLET
- = CONNECTION
- ⤵ = "NEG. VDC"
- ⤵ = 0VOLTS DC
- ⤵ = COMMON NEG.

SAFETY NOTICE: Typically all electronic locking systems should release automatically upon activation of a fire alarm system.

Never connect any devices or locks to doors without first consulting with your Local Approving Authority

NOTE: 1) Product voltage is not specified on wire diagram, but must be specified when ordering product. (12 or 24 VDC)

2) If you have any questions, please feel free to call us at (800) 872-3267 for technical support.

LAMP OPERATION : All SECURITRON system key switches and push buttons are normally wired as follows:

GREEN = Power to lock.

RED = No power to lock.



ASSA ABLOY

10027 S. 51st St., Suite 102
 Phoenix, AZ 85044
 Phone (800) 872-3267
 Fax (800) 232-7329

E-mail:
 techsupport.adamsrite@assaabloy.com

ADDITIONAL COMMENTS: ELECTRIC STRIKE WITH WIRELESS READER

| | | | | |
|-----------|--------|--------------|-------------|-----------|
| Revision: | 1 | Drawn By: | BRITTANI J. | Drawing # |
| Date: | 4/4/19 | Approved By: | | SB-4419-4 |