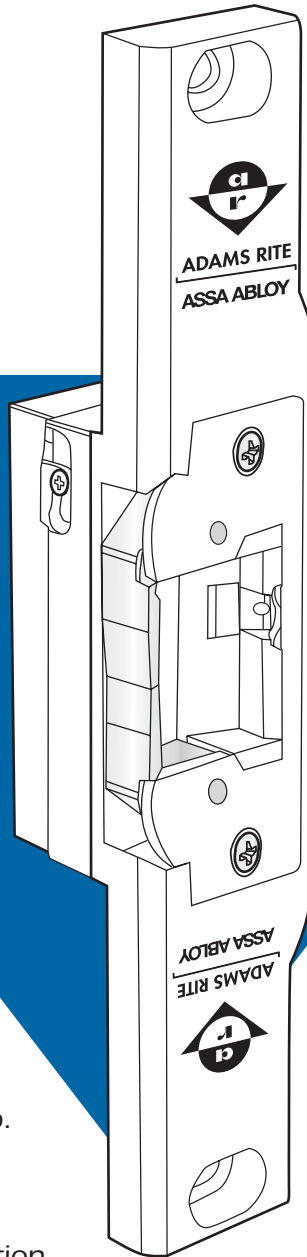


VOLTAGE		
Field selectable to match power source of 12, 16, or 24 VAC/VDC.		
CURRENT DRAW/AMPS		
Volts	AC	DC
12	.163	.440
16	.228	.458*
24	.084	.230

*Requires 16 VDC adapter (P/N VA 7400-16VDC)

Opens electrically under 35lbs. of preload!



ULTRA LINE

74R2

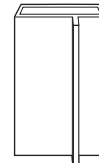
ANSI/BHMA Type EO9321

LATCH TYPE



Narrow Stile Rim Exit Devices with 1/2" Bolt

DOOR FRAME TYPE



Aluminum



Listed for Burglary Resistance (UL1034)

▼ Case

Approx. 1" x 3-3/8" x 1-1/8" deep. Zinc-aluminum alloy.

▼ Fail-Safe/Fail-Secure

Field selectable at time of installation.

▼ Strike Opening

5/8" x 1-7/16" x 1/2" deep. Bolt retainer jaw is made of stainless steel.

▼ Mounting Plate/Housing

Measures 1-5/8" x 9" x 1/2" deep. Made of zinc/aluminum alloy. Standard finish in Ritecoat epoxy to match Clear, Dark Bronze Anodized and Black Anodized finishes.

▼ Function

A semi-mortised strike for rim exit devices having 1/2" Pullman type bolts. Provides electrical remote control allowing door to open without actuation of the exit device.

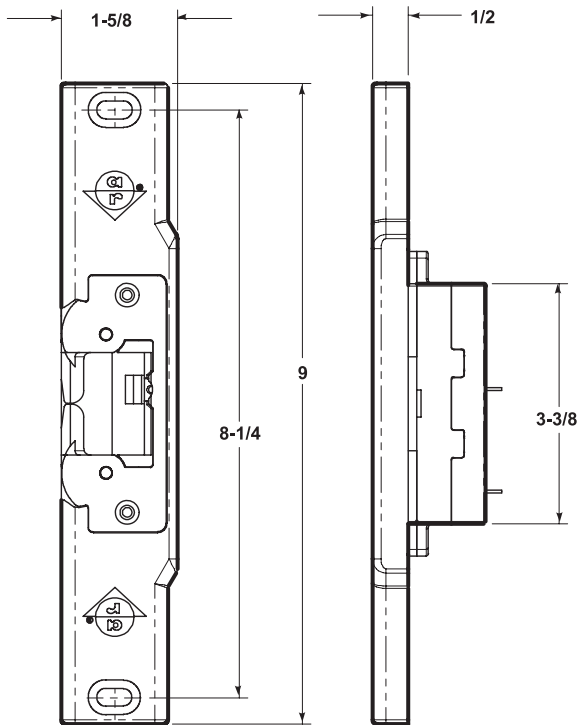
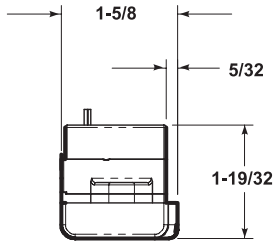
This non-handed strike features an ultra-compact design and a stainless steel split-jaw with over 2400lbs. of holding force in fail-secure mode. The strike releases electrically with up to 35lbs. of door "preload" (pressure exerted on doors by air conditioning systems, warping or misaligned hardware which can disable common electric strikes). Single solenoid operates on 12, 16, or 24 volt AC/DC power. Strikes are equipped with a quick connect plug-in type connector.



74R2 Electric Strike

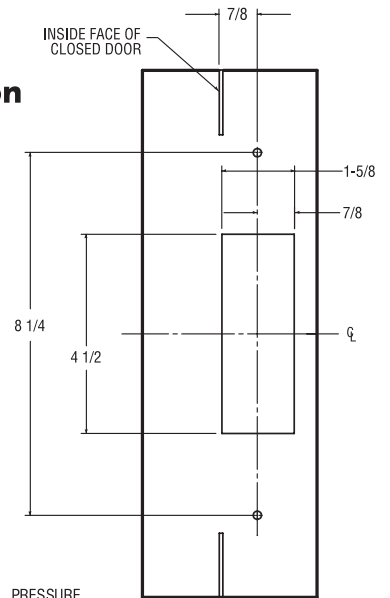
DIMENSIONS

INCHES
MILLIMETERS
Nominal, subject to tolerance extremes.

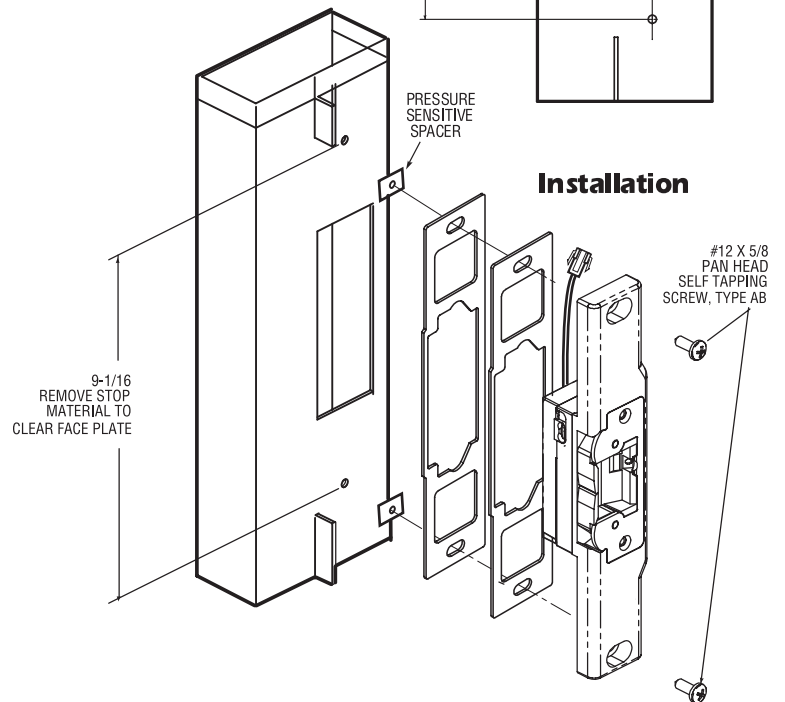


INSTALLATION

Jamb Preparation



Installation



HOW TO ORDER

Specify quantity and the following information.
Order related hardware separately.

Fail-secure can be field converted to fail-safe or vice versa.

Specify Model

74R2

130

Finish

- 130** To match 628 Clear Anodized
- 121** To match 313 Dark Bronze Anodized
- 119** To match 335 Black Anodized

STANDARD PACKAGE

Individually boxed with mounting plate shims, mounting screws and installation instructions. Shipping weight approx. 2lbs.

OPTIONS

Power Sources - 4605/4606 Transformer, 4603 Rectifier, and PS-1 Power Supply. See page ES-7 for more details.

ELX-ElectroLynx™ Adapter - Connects Adams Rite electrified products to ElectroLynx system.

16 VDC Adapter - VA7400-16VDC required when using 16VDC power.