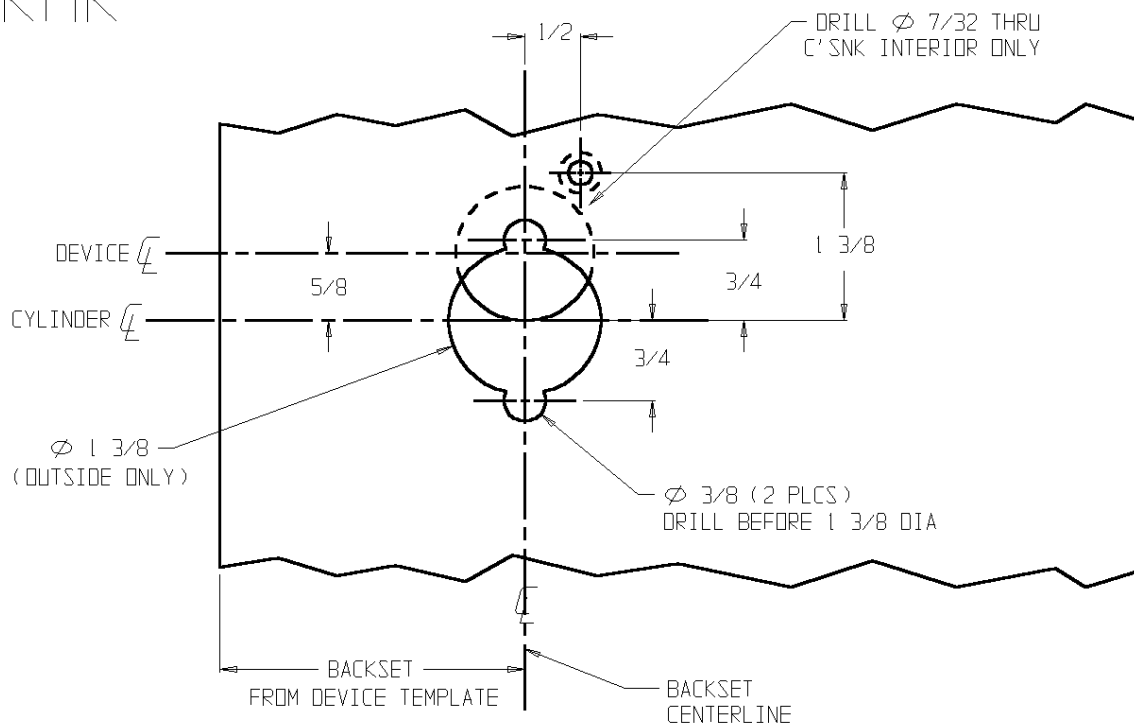
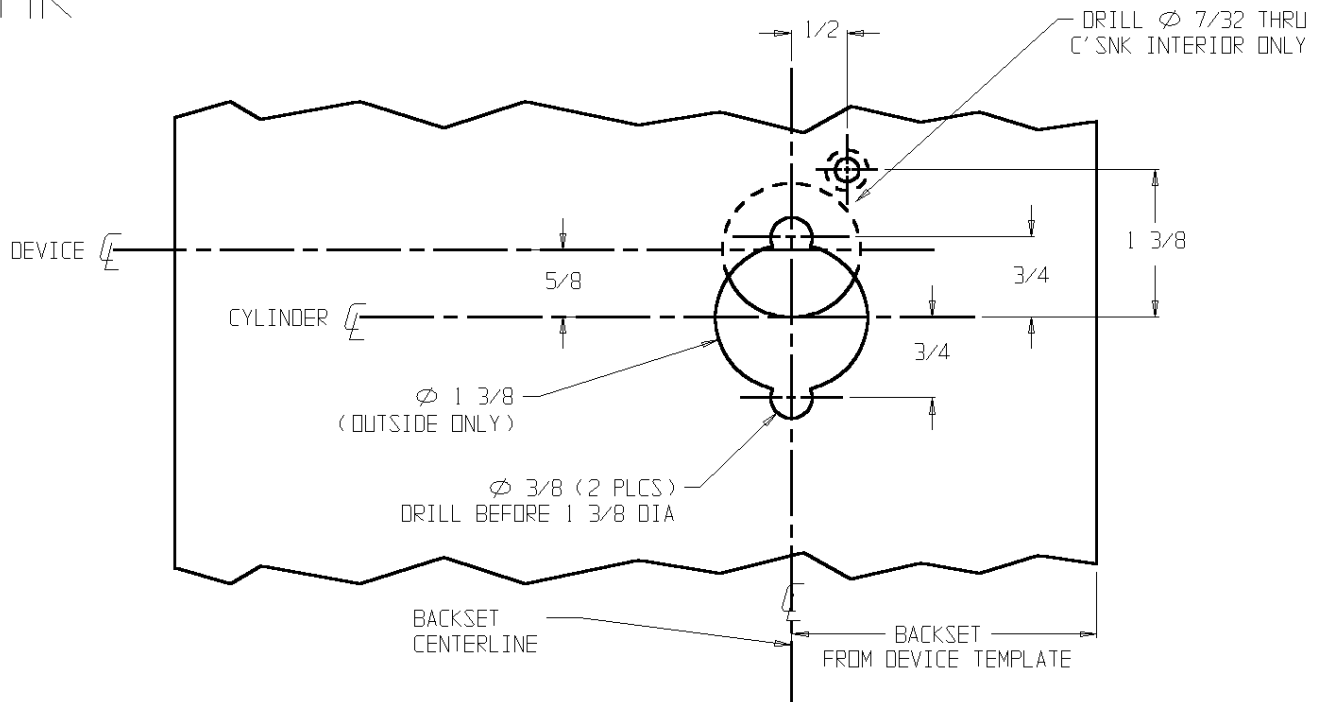


RHR



LHR



8650 OUTSIDE CYLINDER ESCUTCHEON PREPARATION

ADAMS RITE MANUFACTURING COMPANY
CITY OF INDUSTRY, CA 91749

8650 CYLINDER ESCUTCHEON
PREPARATION FOR 3600/8500
CVR EXIT DEVICES

NOTE: SEE MASTER SHEET 10001 FOR
SUGGESTED REINFORCEMENT

TEMPLATE NO.:

10032-1

DATE:

04-05-99