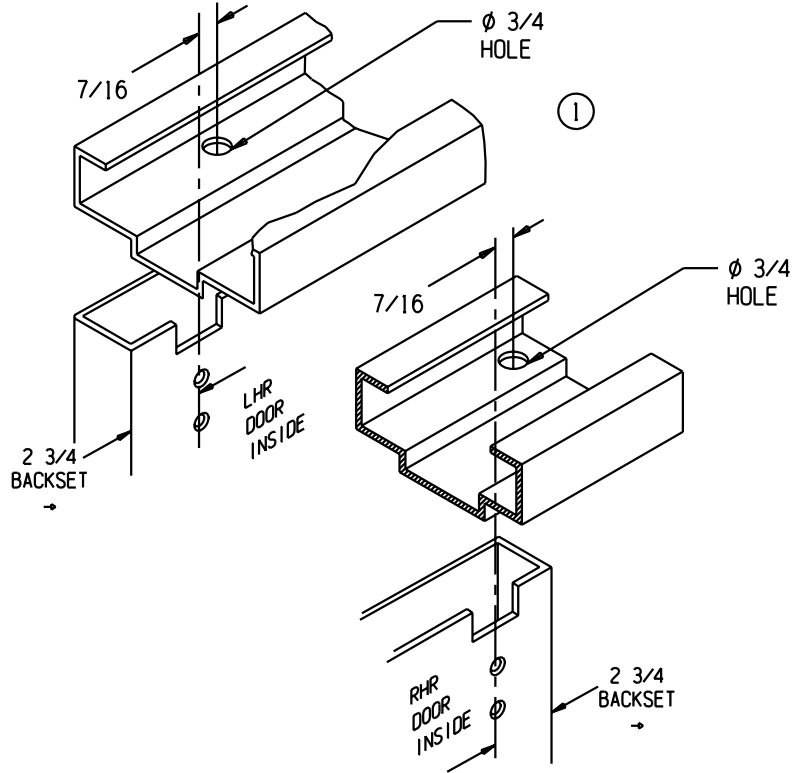
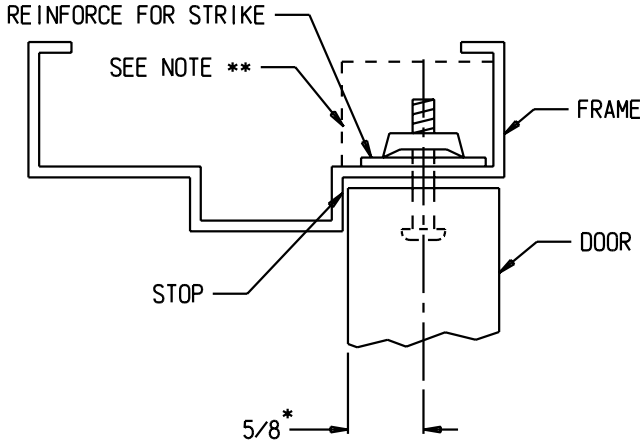


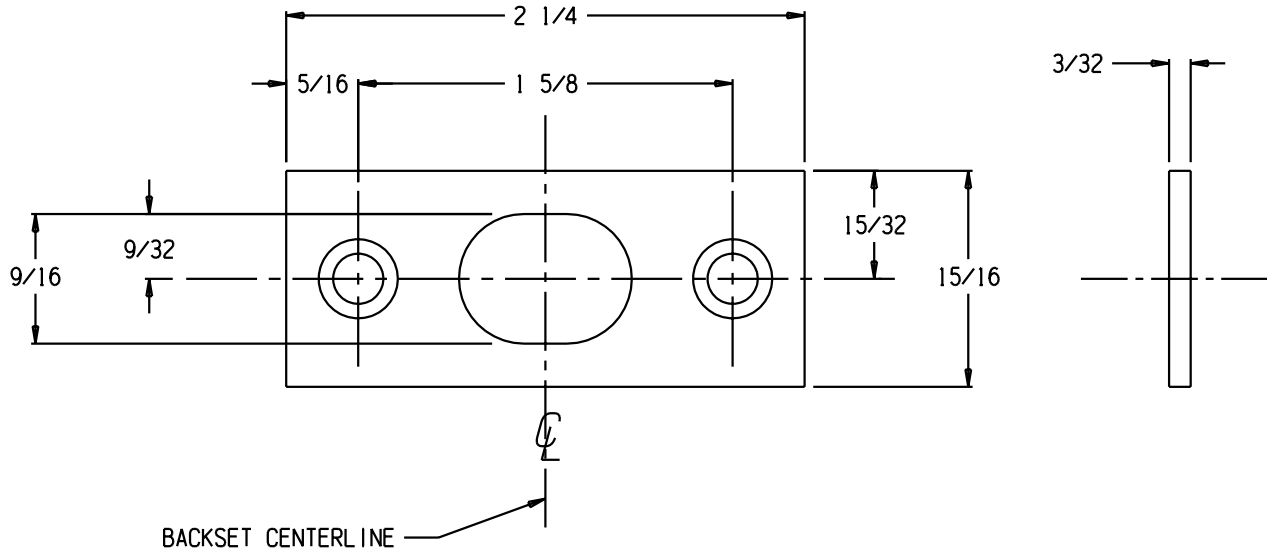
CVR TOP STRIKE PREPARATION

NOTE ** - GROUT FILLED FRAMES
 REQUIRE BLOCKING/MORTAR GUARD
 1 1/2" X 1 1/2" X 1 1/2" MINIMUM
 CENTERED ON 3/4" HOLE
 FOR TOP STRIKE ADJUSTMENT.



* MEASURED FROM THE INTERIOR DOOR SURFACE. BE SURE TO ALLOW FOR DOOR SILENCERS IF USED.

CVR BOTTOM STRIKE PREPARATION



(MORTISE IN FLOOR-NO PROJECTION)

NOTE: SEE MASTER SHEET 10001 FOR SUGGESTED REINFORCEMENT



Adams Rite Manufacturing Co.
 260 Santa Fe Street,
 Pomona, CA 91767
 Phone: 909-632-2300
 Fax: 909-632-2369
 www.adamsrite.com

30030-2

**3600 CVR TOP & BOTTOM
 STRIKE PREPARATION**