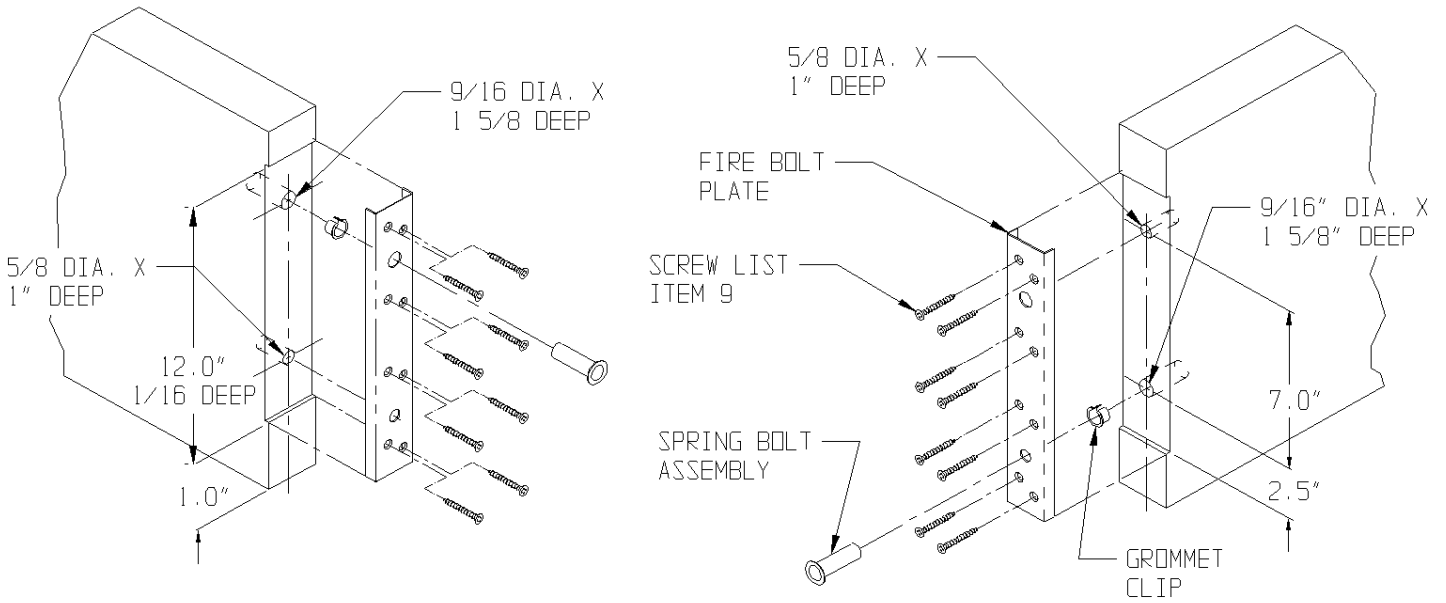


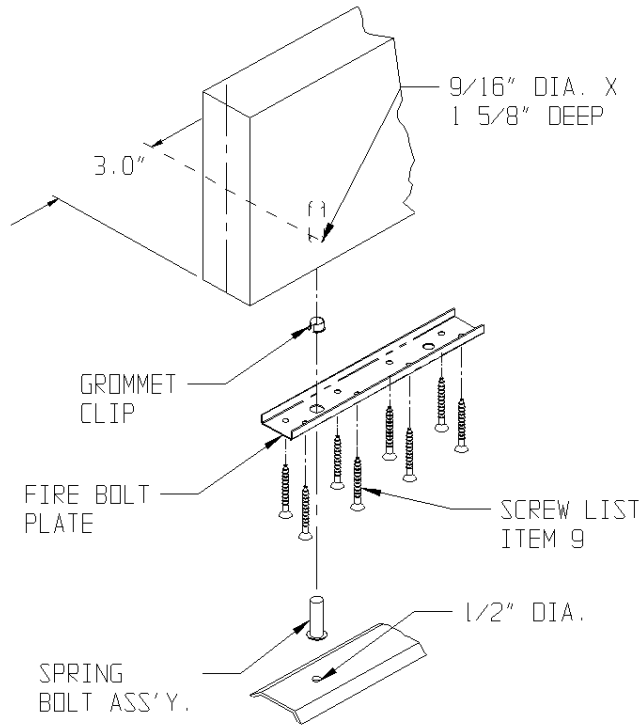
FOR 45,20 MIN.

DOUBLE DOORS



FOR 60,90 MIN.

SINGLE DOOR



ADAMS RITE MANUFACTURING COMPANY
POMONA CA. 91767

3100W SVR/3900 CVR- WOOD
DOOR PREPARATIONS
(FIRE BOLT PINS)

DATE: 03-22-01

ECN: 10142

TEMPLATE NO.: 10161-2

NOTE: SEE MASTER SHEET 10001
FOR SUGGESTED REINFORCEMENT