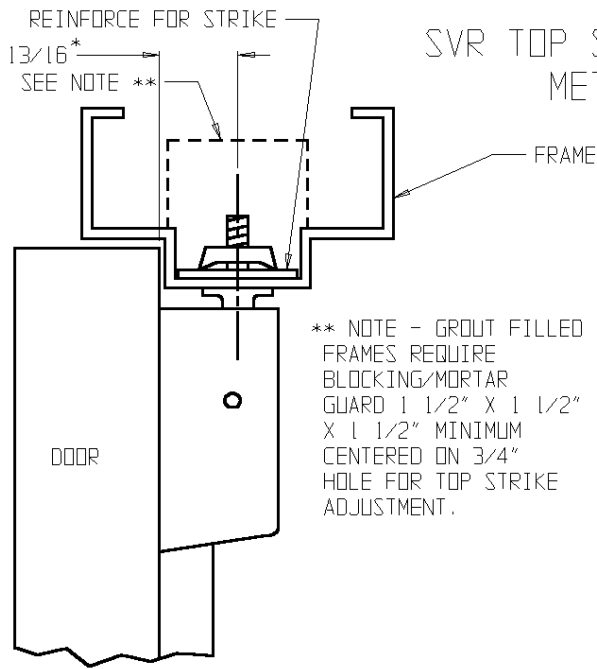
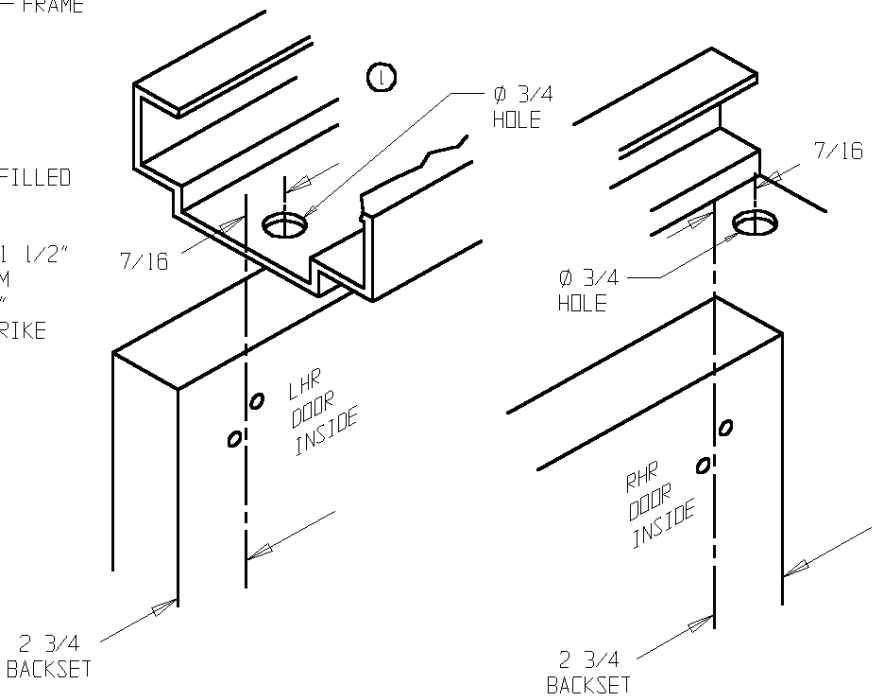


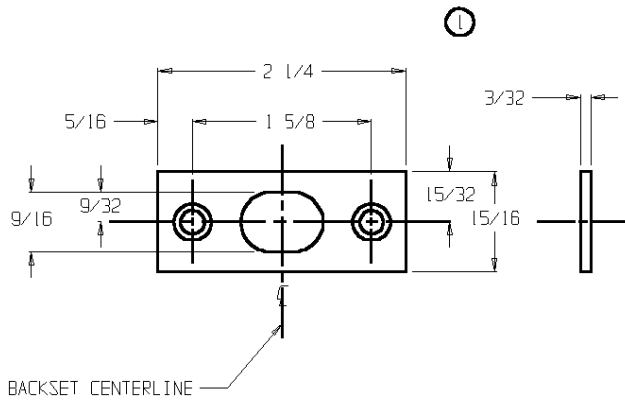
SVR TOP STRIKE PREPARATION METAL FRAME



*MEASURED FROM THE INTERIOR DOOR SURFACE. BE SURE TO ADJUST FOR DOOR SILENCERS IF USED.

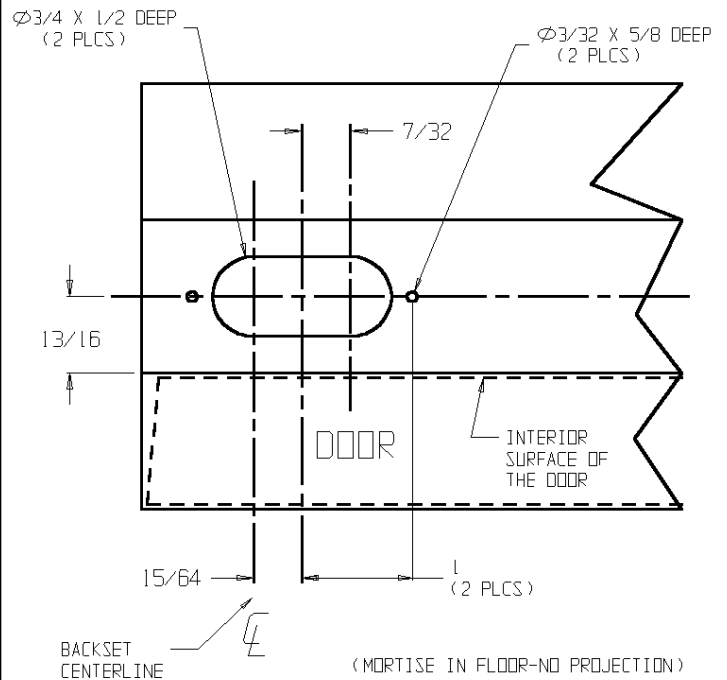


SVR BOTTOM STRIKE PREPARATION



(MORTISE IN FLOOR-NO PROJECTION)

SVR TOP STRIKE PREPARATION WOOD FRAME



(MORTISE IN FLOOR-NO PROJECTION)

ADAMS RITE MANUFACTURING COMPANY
POMONA, CA 91767

8100 SVR
TOP & BOTTOM
STRIKE PREPARATION

ECN NUMBER:
9981

NOTE: SEE MASTER SHEET 10001 FOR
SUGGESTED REINFORCEMENT

TEMPLATE NO.:
30050-2

DATE:
08/31/95