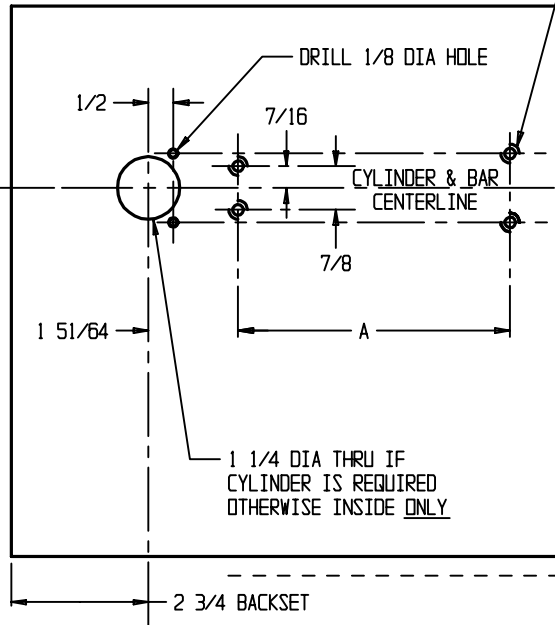
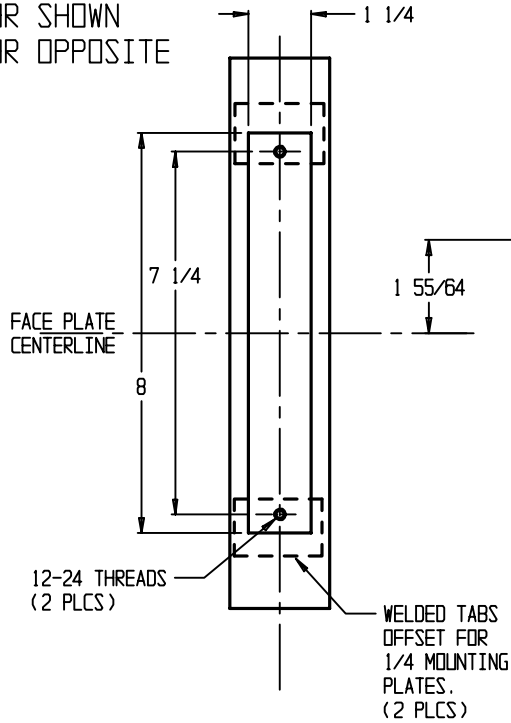


LHR SHOWN
RHR OPPOSITE



FOR SELF-TAPPING SCREW:
1/8" DIA HOLE (4 PL)

FOR SEX BOLTS:
3/8" DIA (OUTSIDE OF DOOR)
7/32" DIA (INSIDE OF DOOR)
(4 PLCS)

1 3/8" (2 PLCS)

11/16" (2 PLCS)

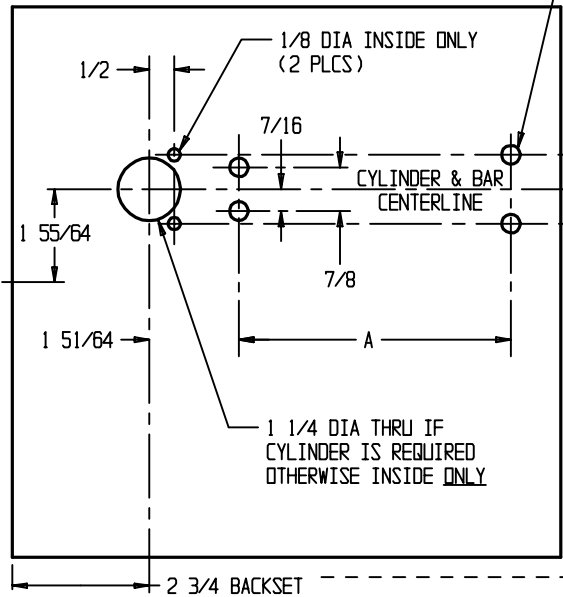
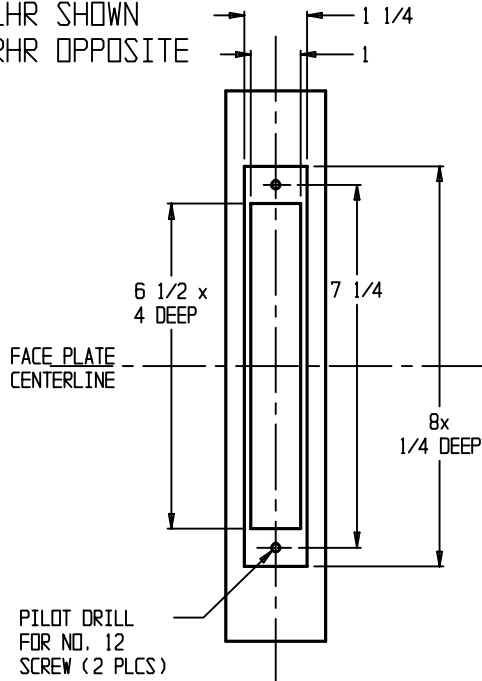
RECOMMENDED HEIGHT
41 13/16"
FROM FINISHED FLOOR

NOTE: IT IS RECOMMENDED THE MOUNTING HOLES BE PREPARED IN THE FIELD

HOLLOW METAL DOOR PREPARATION

DIM. A	DOOR OPENING WIDTH			
	30"	36"	42"	48"
22 1/2"	28 1/2"	34 1/2"	40 1/2"	

LHR SHOWN
RHR OPPOSITE



FOR SELF-TAPPING SCREWS:
1/8" DIA (4 PL)

FOR SEX BOLTS:
3/8" DIA THRU (4 PLCS)

1 3/8" (2 PLCS)

11/16" (2 PLCS)

RECOMMENDED HEIGHT
41 13/16"
FROM FINISHED FLOOR

NOTE: IT IS RECOMMENDED THE MOUNTING HOLES BE PREPARED IN THE FIELD

WOOD DOOR PREPARATION

DIM. A	DOOR OPENING WIDTH			
	30"	36"	42"	48"
22 1/2"	28 1/2"	34 1/2"	40 1/2"	

ADAMS RITE MANUFACTURING COMPANY
POMONA, CA 91767

④ 3300 (FIRE RATED) /
8300 (NON RATED)
EXIT DEVICE FOR WOOD
AND HOLLOW METAL DOOR

PART NO.:
80-0180-83T

NOTE: SEE MASTER SHEET 1001 FOR
SUGGESTED REINFORCEMENT

TEMPLATE NO.:
10020-4

DATE:
04-28-05