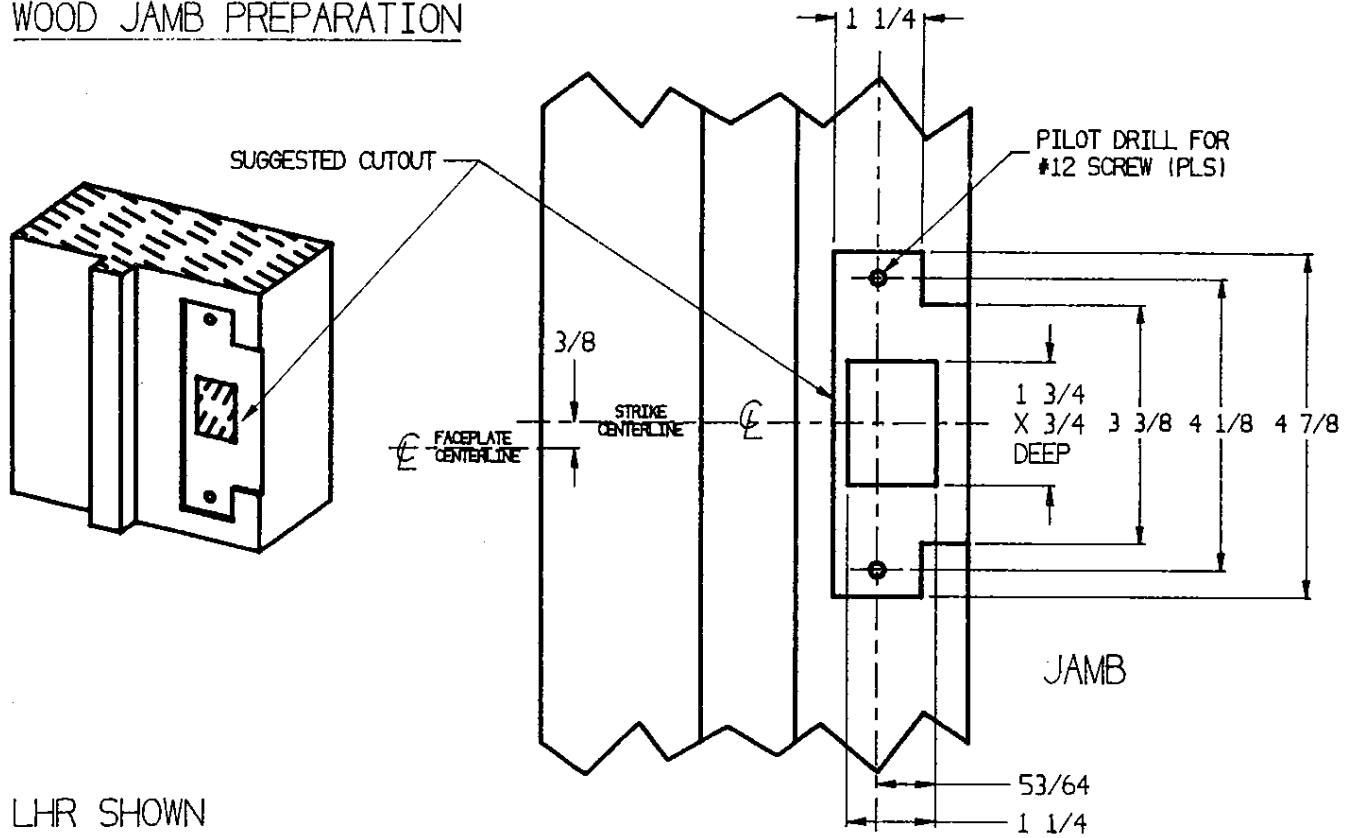
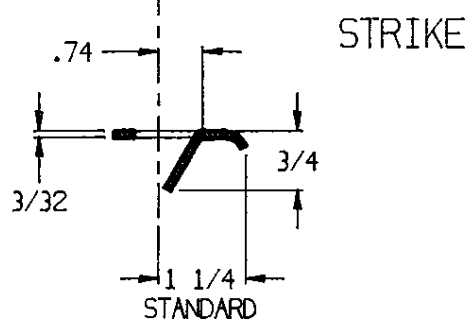
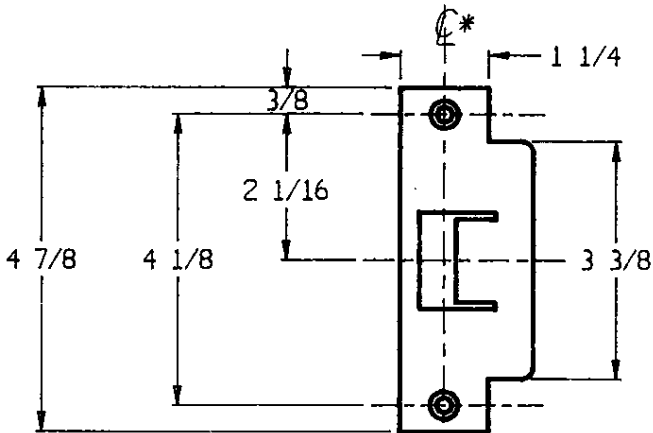


# WOOD JAMB PREPARATION



LHR SHOWN  
RHR OPPOSITE

- 1 - STRIKE CUTOUT FOR FRAME FITS CURRENT ANSI A115.1 STANDARD
- 2 -  $\phi^*$  DENOTES A COMMON LATCH AND STRIKE CENTERLINE
- 3 - WHEN DOOR SILENCERS ARE USED ON DOOR FRAME, ADJUST STRIKE LOCATION TO ENSURE COMMON LATCH AND STRIKE CENTERLINE.



ADAMS RITE MANUFACTURING COMPANY  
CITY OF INDUSTRY, CA 91749

3300/8300 ANSI MORTISE  
EXIT DEVICE STRIKE  
PREPARATION FOR WOOD JAMB

PART NO.:  
80-0180-236T

NOTE: SEE MASTER SHEET 10001 FOR  
SUGGESTED REINFORCEMENT

TEMPLATE NO.:  
30021-0

DATE:  
9-29-92