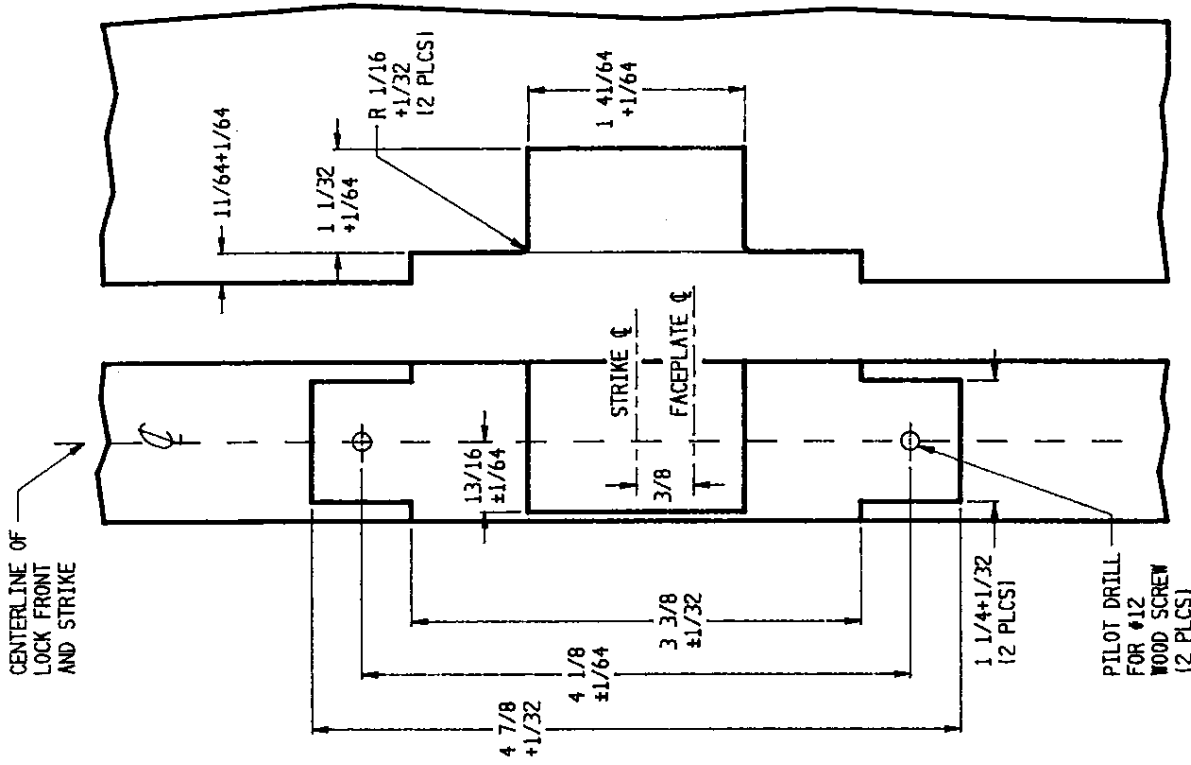
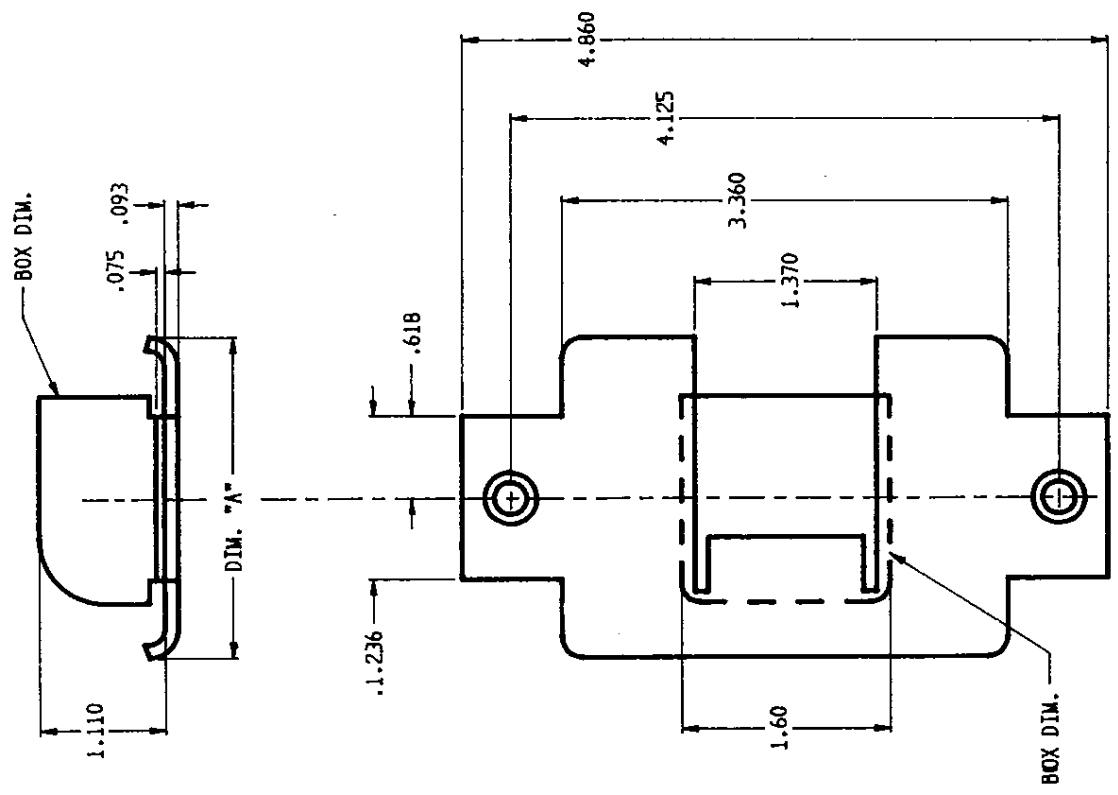


WOOD DOOR PREPARATION



LHR LEAF SHOWN

DIMENSIONS



PART NO.	DIM. A	DOOR THICKNESS
4009-01	2 7/16	1 3/4
4009-03	2 11/16	2

ADAMS RITE MANUFACTURING COMPANY  
CITY OF INDUSTRY, CA 91749

4009 OPEN BACK STRIKE  
FOR WOOD DOOR

PART NO.: 80-0180-114T	NOTE: SEE MASTER SHEET 10001 FOR SUGGESTED REINFORCEMENT	TEMPLATE NO.: 30026-0	DATE: 09-28-92
---------------------------	---	--------------------------	-------------------