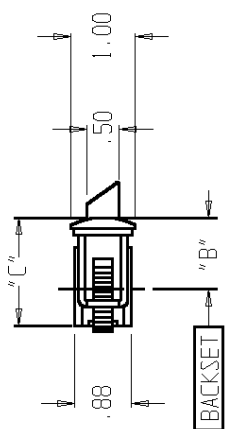
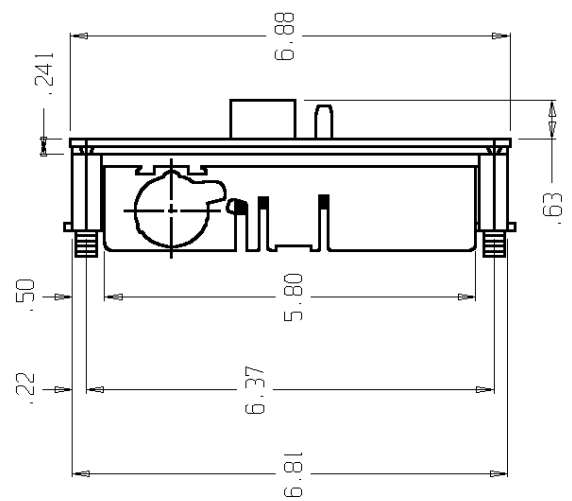
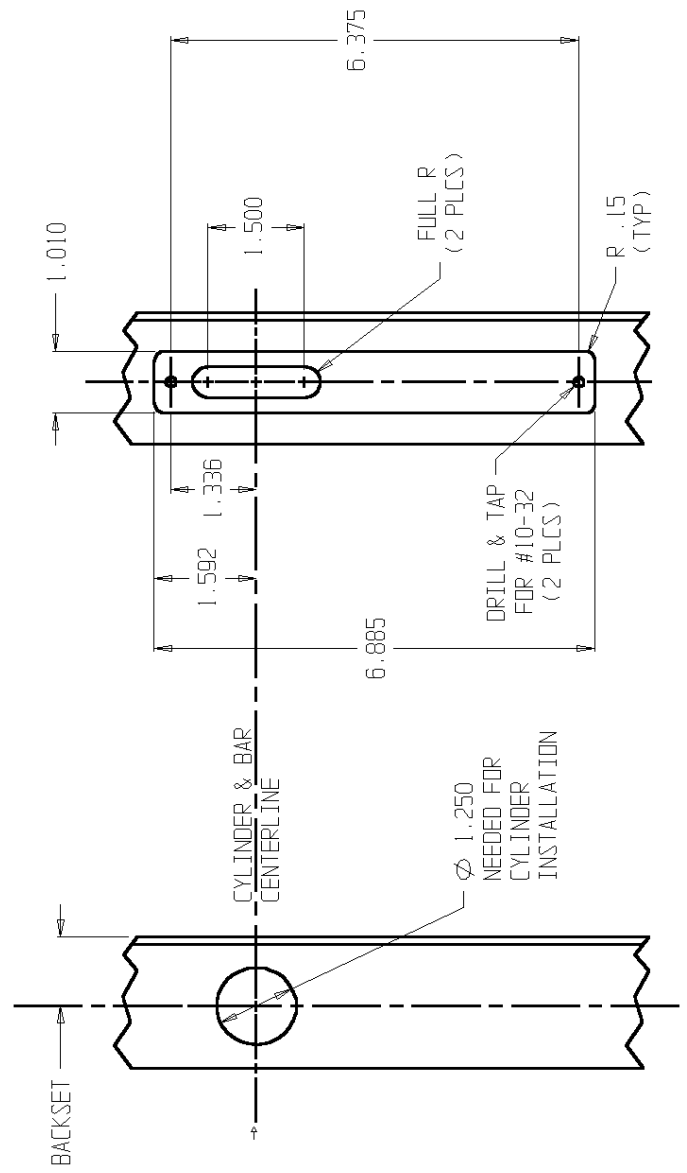
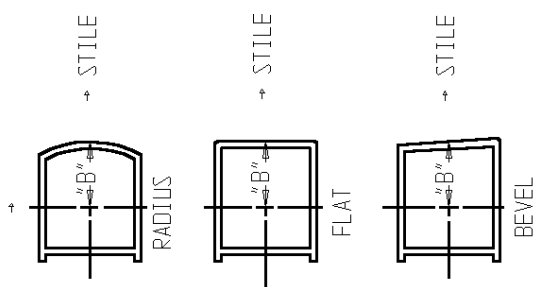


LHR SHOWN
RHR OPPOSITE



AVAILABLE "B" BACKSETS	"C"
1 1/8	1.76
1 1/2	2.14

BACKSET MUST BE MEASURED AT CENTERLINE OF STILE



LEAD STILE PREPARATION

ADAMS RITE MANUFACTURING COMPANY
CITY OF INDUSTRY, CA 91749

8475 MIDPANEL MORTISE EXIT
DEVICE FOR ALUMINUM
STILE DOORS

PART NO.:
80-0180-138T

NOTE: SEE MASTER SHEET 10001
FOR SUGGESTED REINFORCEMENT

TEMPLATE NO.:
10090-1

DATE:
08-23-95