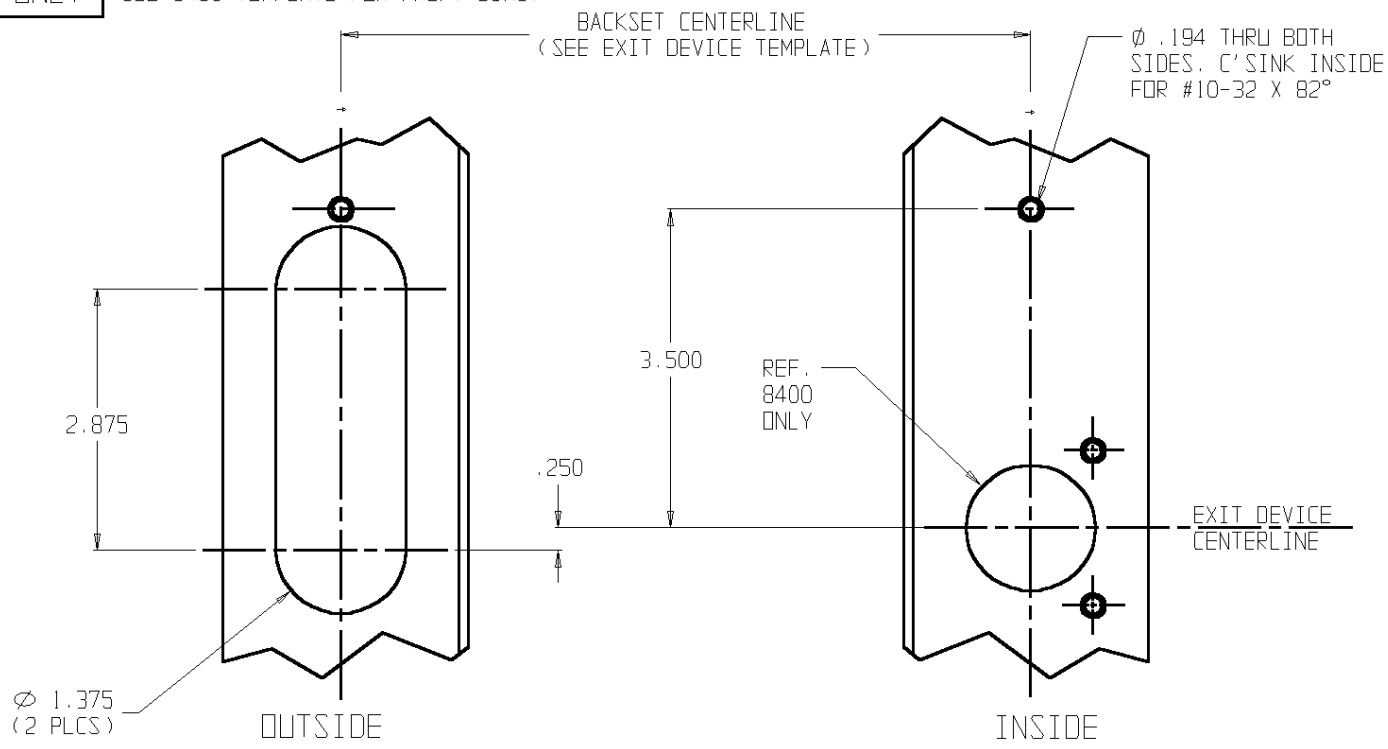
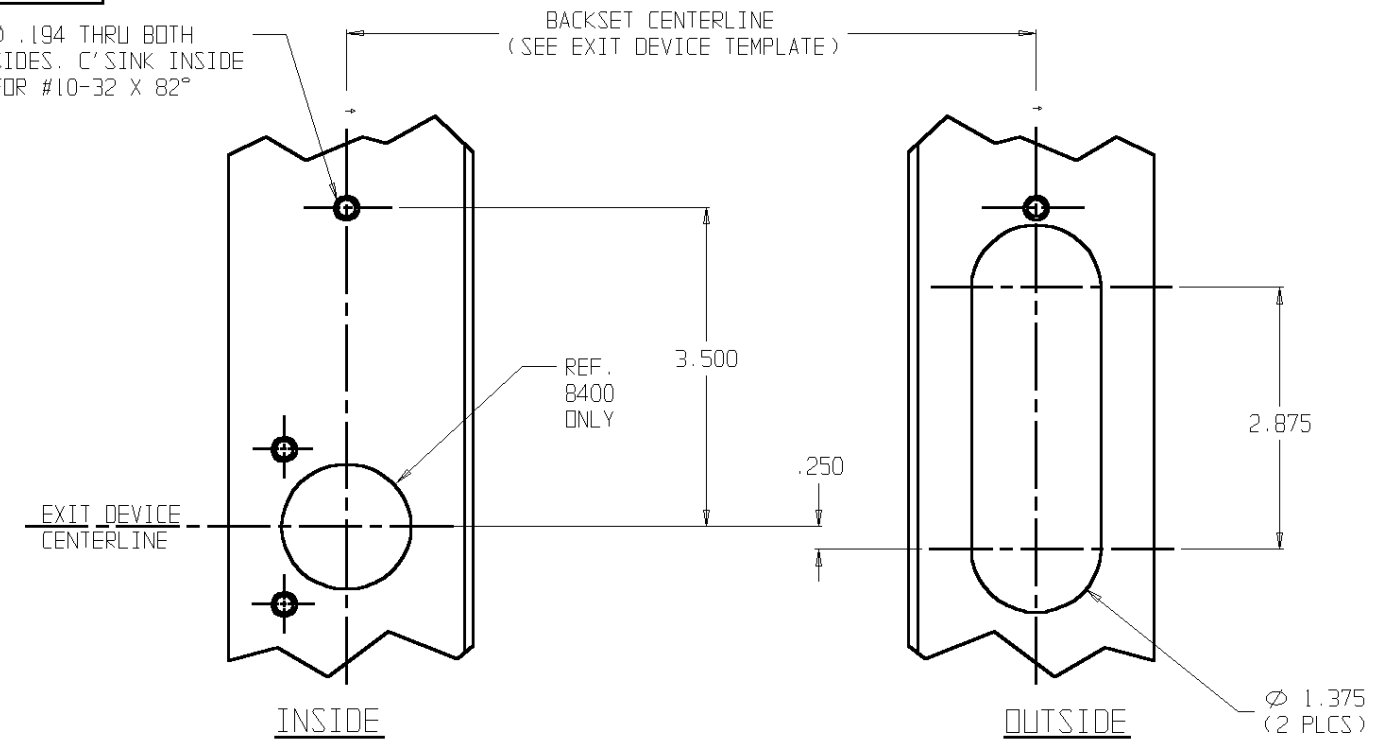


LHR ONLY SEE 8400 TEMPLATE FOR PREP. DIMS.



RHR ONLY SEE 8400 TEMPLATE FOR PREP. DIMS.



ADAMS RITE MANUFACTURING COMPANY  
CITY OF INDUSTRY, CA 91749

8066 ENTRY FUNCTION  
FOR 8400/8475 CVR ALUMINUM  
ALUMINUM STILE PREPARATION

PART NO.: 80-0180-30T	DATE: 07-10-97	ECN: 9629	TEMPLATE NO.: 20086-0	NOTE: SEE MASTER SHEET 10001 FOR SUGGESTED REINFORCEMENT
--------------------------	-------------------	--------------	--------------------------	---