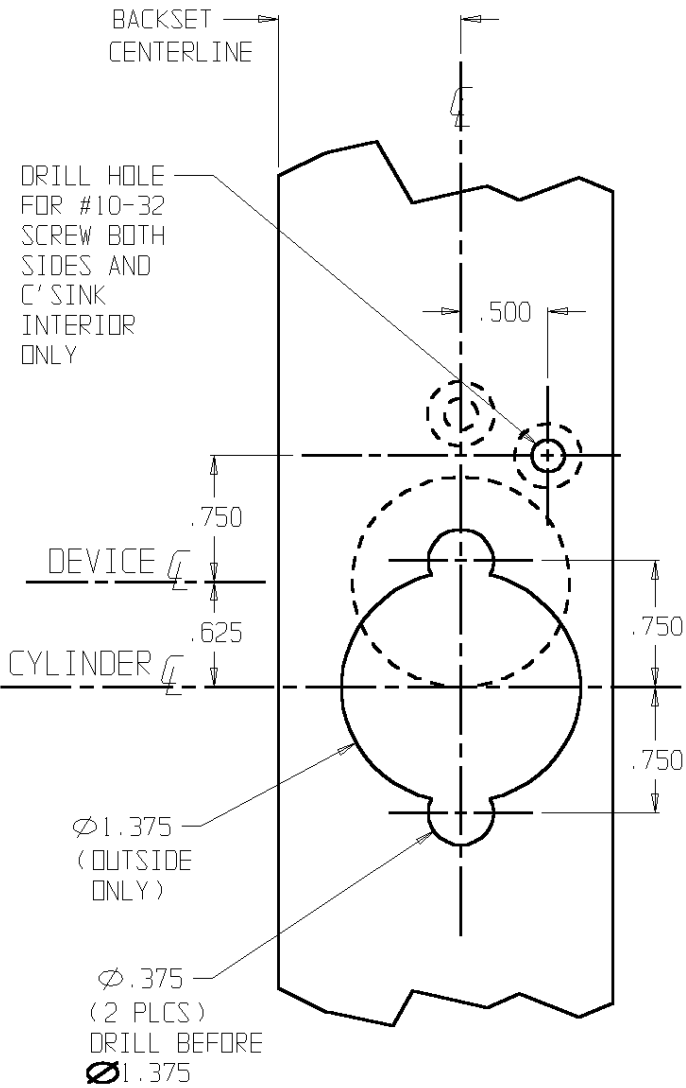


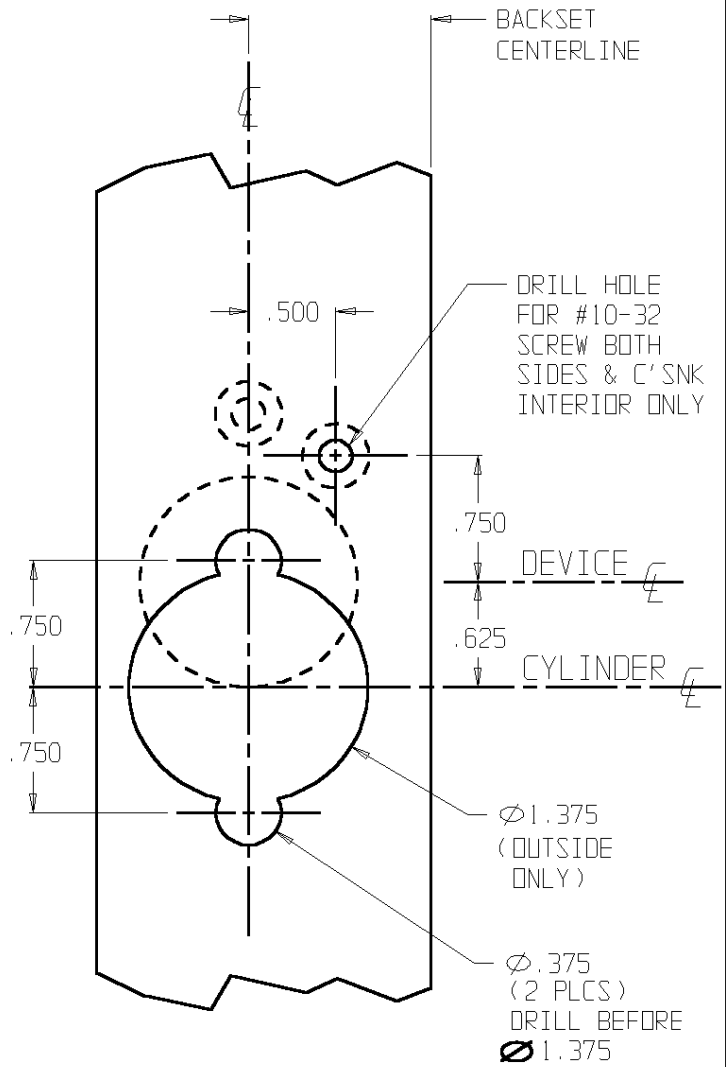
OUTSIDE CYLINDER PREPARATION

RHR



OUTSIDE OF DOOR

LHR



OUTSIDE OF DOOR

ADAMS RITE MANUFACTURING COMPANY
CITY OF INDUSTRY, CA 91749

8650 CYLINDER ESCUTCHEON
PREPARATION FOR
8600 CVR EXIT DEVICE

PART NO.
80-0180-51T

NOTE: SEE MASTER SHEET 10001 FOR
SUGGESTED REINFORCEMENT

TEMPLATE NO.:
10112-0

DATE:
03/14/95