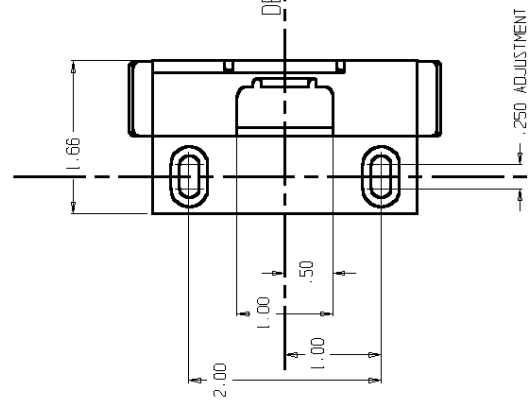
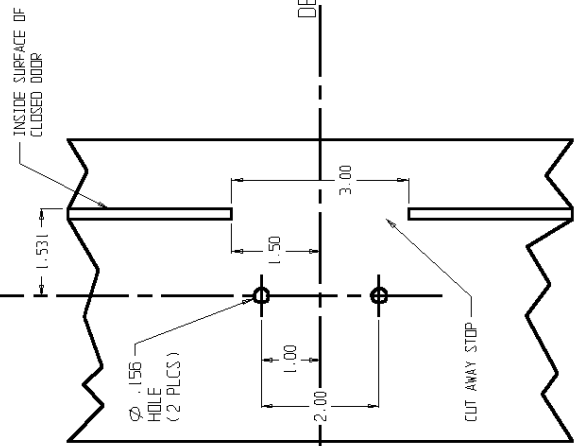
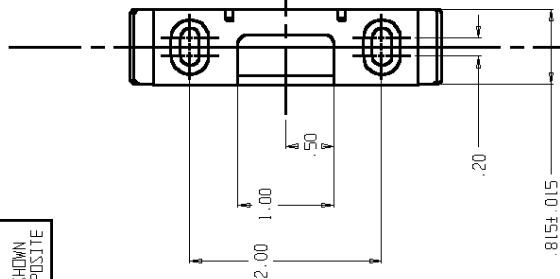
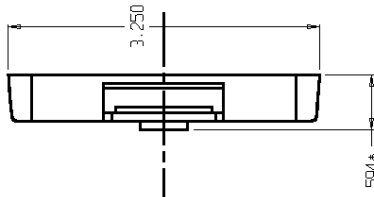


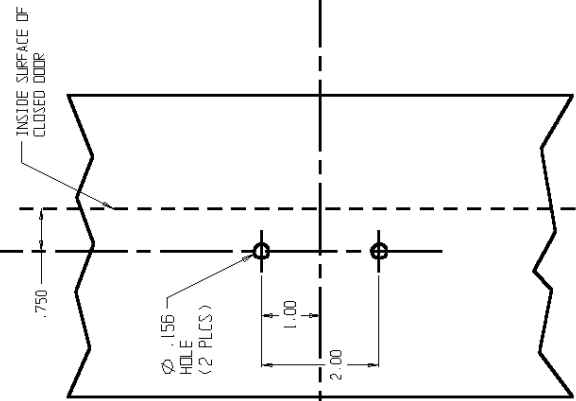
LHR SHOWN
RHR OPPOSITE



* ADJUSTABLE
(SPACERS PROVIDED)



STANDARD STRIKE PREPARATION



CENTERHUNG STRIKE PREPARATION

ADAMS RITE MANUFACTURING COMPANY
CITY OF INDUSTRY, CA 91749

8800 RIM EXIT DEVICE
STANDARD AND CENTERHUNG
STRIKE PREPARATIONS

PART NO.:
80-0180-41T

NOTE: SEE MASTER SHEET 10001
FOR SUGGESTED REINFORCEMENT

TEMPLATE NO.:
30140-1

DATE:
08/31/95