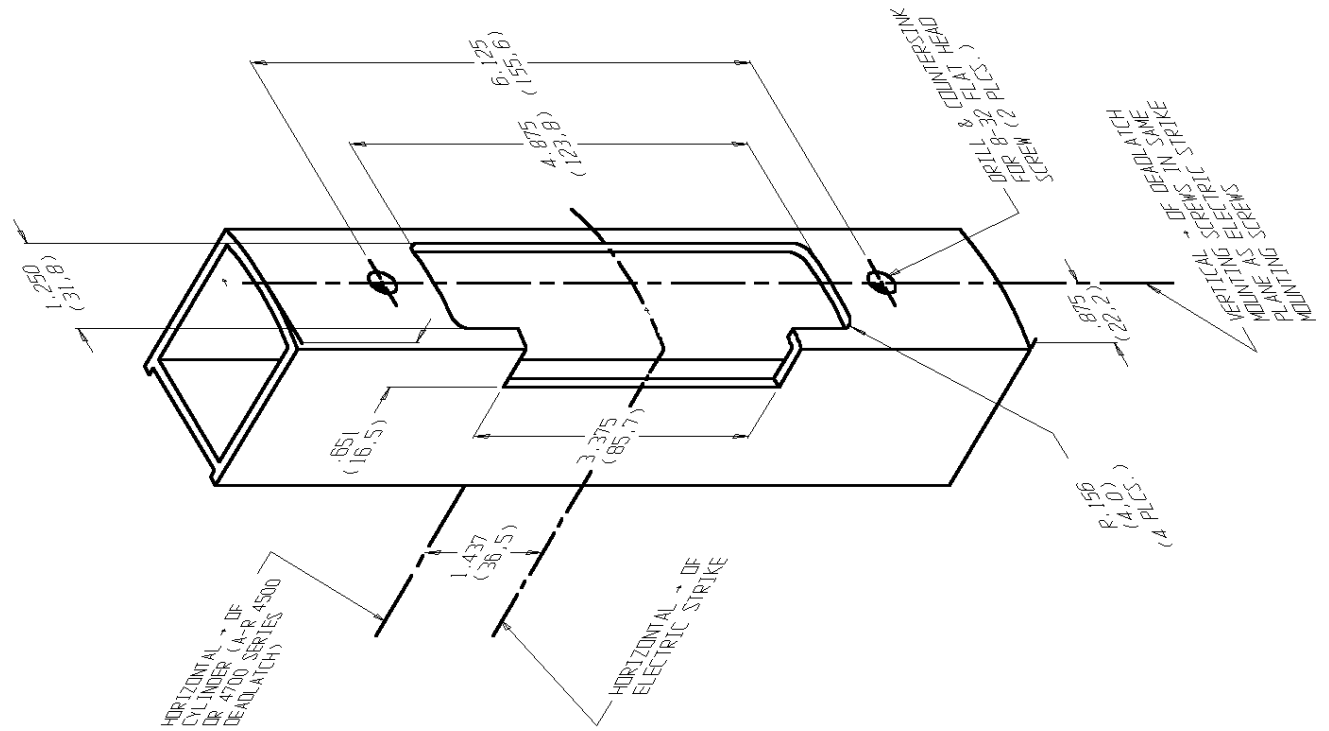
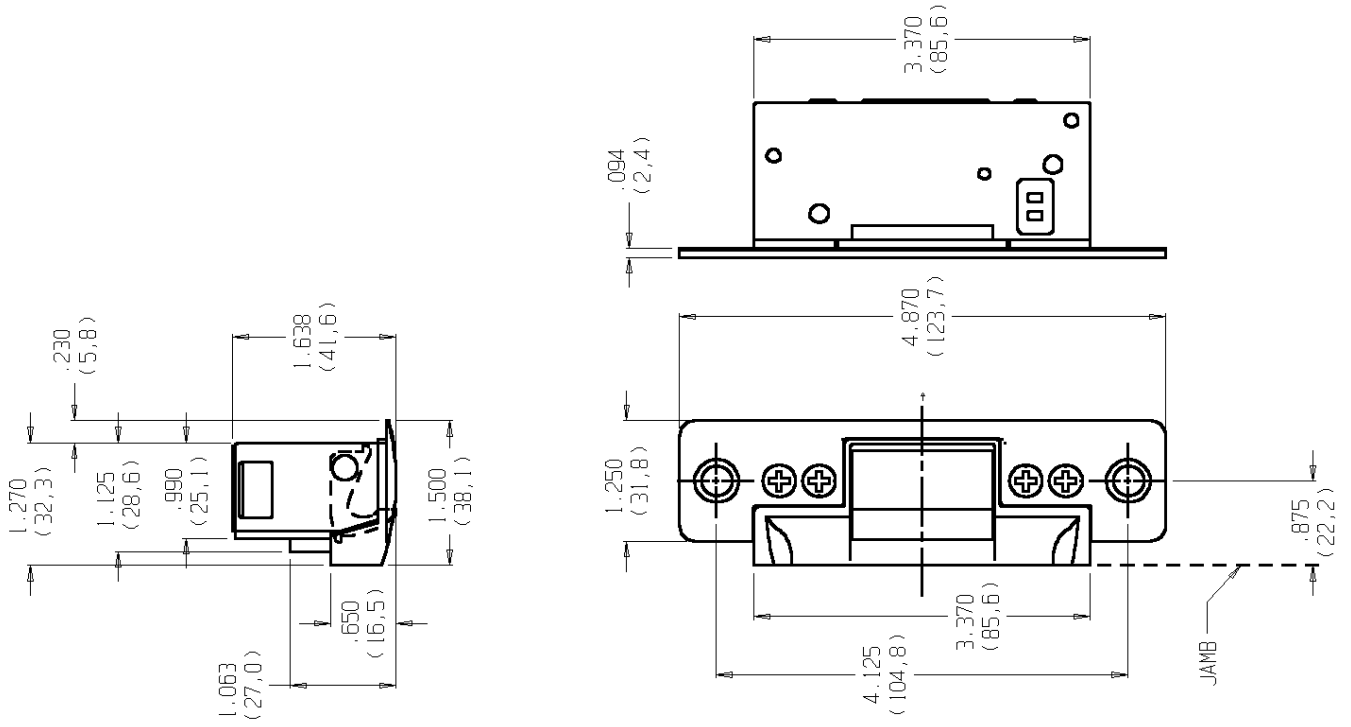


STILE PREPARATION



ELECTRIC STRIKE DIMENSIONS



ADAMS RITE MANUFACTURING COMPANY
POMONA, CA 91767

7101 ELECTRIC STRIKE
FOR ALUMINUM STILE WITH
A-R 4500/4700 DEADLATCHES

REF. INSTRUCTION SHEET NO.:
80-0180-355

TEMPLATE NO.:
52020-0

DATE:
09-13-95