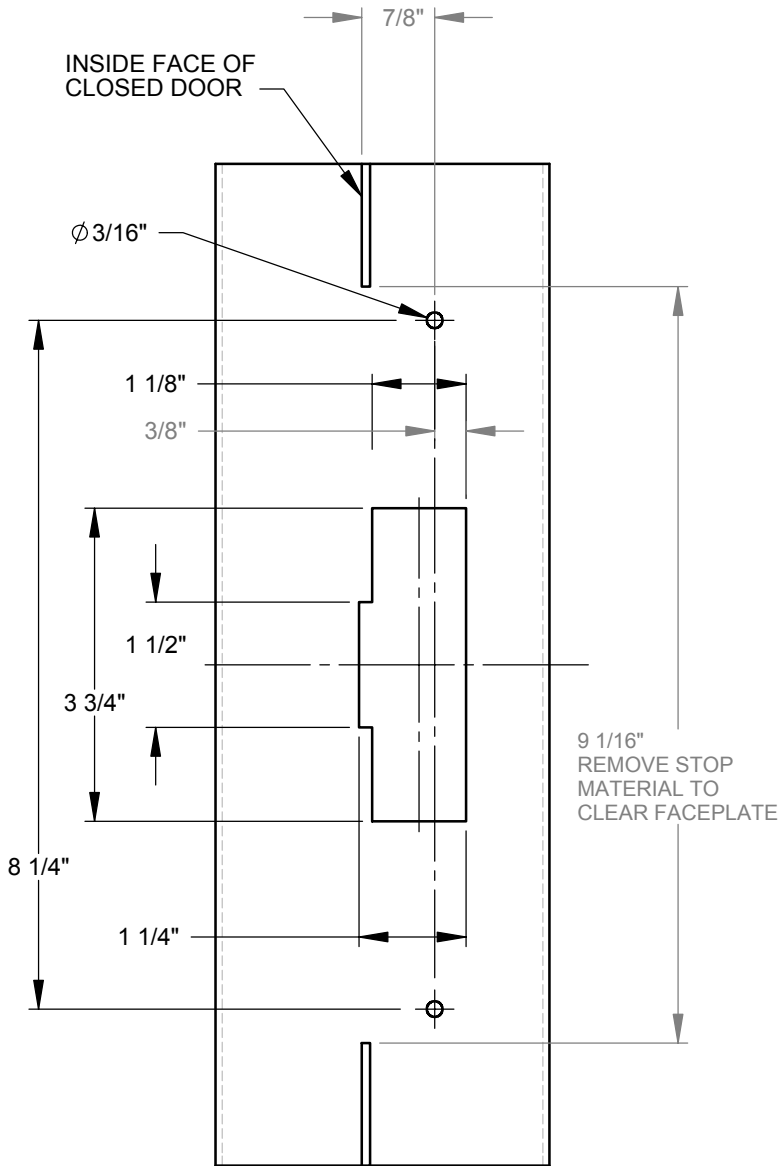
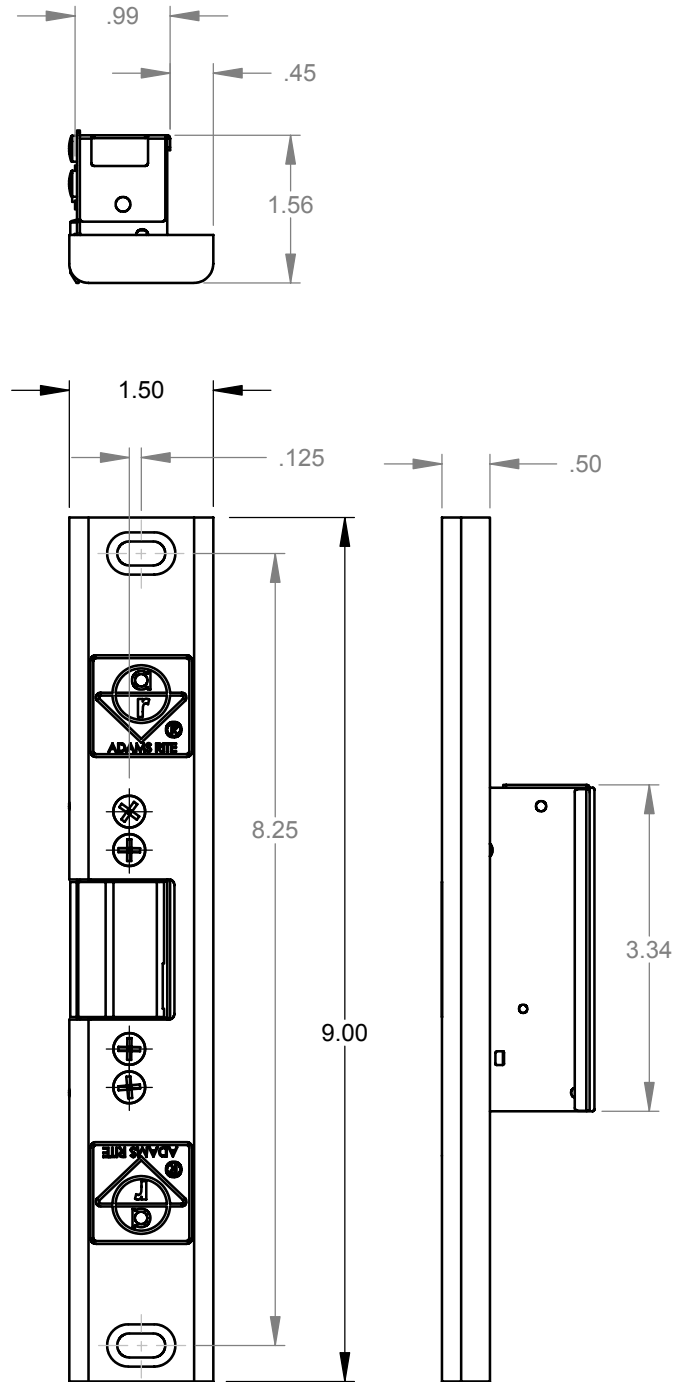


JAMB PREPARATION



ELECTRIC STRIKE DIMENSIONS



71R2 ELECTRIC STRIKE FOR METAL JAMB

TEMPLATE No: 52161-0

DATE: 01/02/2002